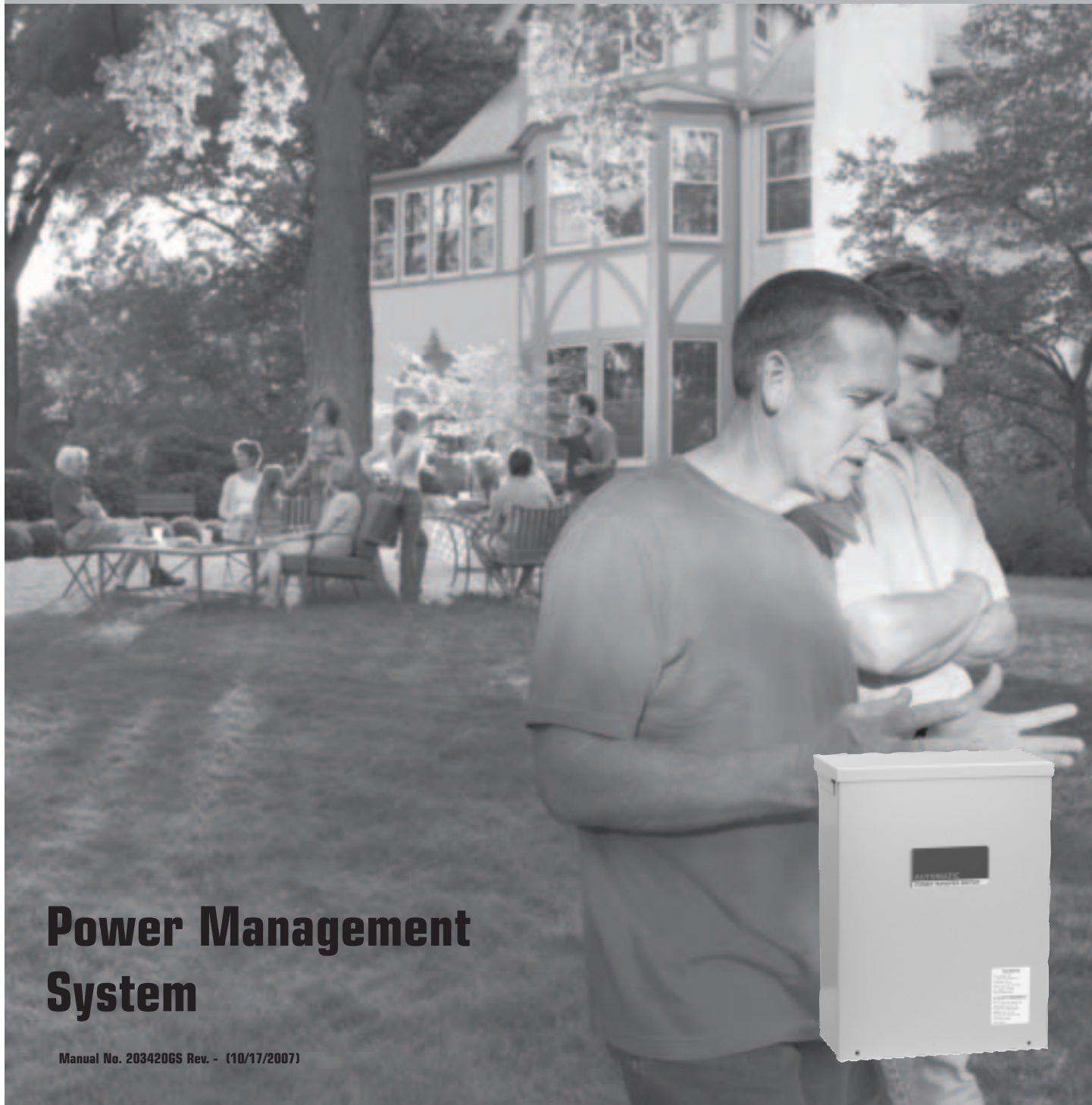




# Home Generator Systems

## Installation & Operator's Manual



## Power Management System

Manual No. 203420GS Rev. - (10/17/2007)

**Thank you** for your purchase of this Briggs & Stratton Power Products Power Management System. This product is intended for use with Briggs & Stratton Home Standby Generator sets and therefore may not function with generators produced by other manufacturers. Seek a qualified electrical professional to determine applicability of this equipment to generators aside from those manufactured by Briggs & Stratton. This is an optional home standby system which provides an alternate source of electric power and to serve loads such as a gas furnace, refrigeration and communication systems that, when stopped during any power outage, could cause discomfort, or the like. This product DOES NOT qualify for emergency standby as defined by NFPA 70 (NEC).

**This manual contains** safety information to make you aware of the hazards and risks associated with power management systems and how to avoid them. Briggs & Stratton has made every effort to provide for a safe, streamlined and cost-effective installation. Each installation is unique, it is impossible to know of and advise of all conceivable procedures and methods by which installation might be achieved. We do not know all possible hazards and/or the results of each method or procedure. **Save these instructions for future reference.**

**This power management system requires installation before use.** Refer to the *Installation* section of this manual for instructions on installation procedures. **Only licensed electrical contractors should install power management systems. Installations must strictly comply with all applicable federal, state and local codes, standards and regulations.**

## Where to Find Us

You never have to look far to find Briggs & Stratton support and service for your power management system. Consult your Yellow Pages. There are over 30,000 Briggs & Stratton authorized service dealers worldwide who provide quality service. You can also contact Briggs & Stratton Customer Service by phone at **(800) 743-4115**, or on the Internet at BRIGGSandSTRATTON.COM.

## Power Management System

Model Number

--	--	--	--	--	--	--	--

Revision

--	--

Serial Number

--	--	--	--	--	--	--	--	--	--	--	--	--	--	--	--	--	--	--

## Date Purchased

--	--	--	--	--	--	--	--

Briggs & Stratton Power Products Group, LLC  
900 North Parkway  
Jefferson, WI 53549

Copyright © 2007 Briggs & Stratton Power Products Group, LLC.  
All rights reserved. No part of this material may be reproduced or transmitted in any form by any means without the express written permission of Briggs & Stratton Power Products Group, LLC.

# Table Of Contents

<b>Important Safety Instructions</b> .....	<b>4</b>
Owner Orientation .....	5
Installer Responsibilities .....	5
Equipment Description .....	5
<b>Installation</b> .....	<b>6</b>
Unpacking .....	6
Mounting Guidelines .....	6
Power Wiring Interconnections .....	7
Testing the Power Management System .....	9
<b>Controls</b> .....	<b>9</b>
<b>Operation</b> .....	<b>9</b>
Wiring Decal .....	10
Electrical Load Worksheet .....	11
<b>Maintenance</b> .....	<b>12</b>
Specifications .....	12
<b>Troubleshooting</b> .....	<b>13</b>
Illustrated Parts List .....	14
<b>Warranty</b> .....	<b>16</b>

Safety

Installation

Controls

Operation

Maintenance

Troubleshooting


Warranty


Español  
**es**

Français  
**fr**

## Save These Instructions



### Important Safety Instructions



 **This is the safety alert symbol. It is used to alert you to potential personal injury hazards. Obey all safety messages that follow this symbol to avoid possible injury or death.**



The safety alert symbol () is used with a signal word (DANGER, CAUTION, WARNING), a pictorial and/or a safety message to alert you to hazards. **DANGER** indicates a hazard which, if not avoided, *will* result in death or serious injury. **WARNING** indicates a hazard which, if not avoided, *could* result in death or serious injury. **CAUTION** indicates a hazard which, if not avoided, *might* result in minor or moderate injury. **NOTICE** indicates a situation that could result in equipment damage. Follow safety messages to avoid or reduce the risk of injury or death.

The manufacturer cannot possibly anticipate every possible circumstance that might involve a hazard. The warnings in this manual, and the tags and decals affixed to the unit are, therefore, not all-inclusive. If you use a procedure, work method or operating technique that the manufacturer does not specifically recommend, you must satisfy yourself that it is safe for you and others. You must also make sure that the procedure, work method or operating technique that you choose does not render the power management system unsafe.

 <b>WARNING</b>
<b>Only qualified electricians should attempt installation of this system, which must strictly comply with applicable codes, standards and regulations.</b>

 <b>WARNING</b>
 Low voltage wire cannot be installed in same conduit as power voltage wiring.
<ul style="list-style-type: none"> <li>• Failure to follow above warning could cause personal injury, damage and/or malfunction of equipment.</li> </ul>

 <b>WARNING</b>
 Failure to properly ground power management system can result in electrocution.
<ul style="list-style-type: none"> <li>• Do not touch bare wires.</li> <li>• Do not use power management system with worn, frayed, bare or otherwise damaged wiring.</li> <li>• Do not handle electrical cords while standing in water, while barefoot, or while hands or feet are wet.</li> <li>• If you must work around a unit while it is operating, stand on an insulated dry surface to reduce shock hazard.</li> <li>• Do not allow unqualified persons or children to operate or service power management system.</li> <li>• In case of an accident caused by electrical shock, immediately shut down all sources of electrical power and contact local authorities. <b>Avoid direct contact with the victim.</b></li> </ul>

 <b>WARNING</b>
 Power management system contains high voltage that can cause personal injury or death.
<ul style="list-style-type: none"> <li>• Despite the safe design of the power management system, operating this equipment imprudently, neglecting its maintenance or being careless can cause possible injury or death.</li> </ul>

<b>NOTICE</b>
Improper treatment of power management system can damage it and shorten its life.
<ul style="list-style-type: none"> <li>• Use power management system only for intended uses.</li> <li>• If you have questions about intended use, ask dealer or contact Briggs and Stratton Power Products.</li> <li>• Do not expose power management system to excessive moisture, dust, dirt, or corrosive vapors.</li> <li>• Remain alert at all times while working on this equipment. Never work on the equipment when you are physically or mentally fatigued.</li> <li>• If connected devices overheat, turn them off and turn off their circuit breaker/fuse.</li> </ul>

## Introduction

Your Briggs & Stratton Power Management System is supplied with this combined “Installation and Operator’s Manual”. This is an important document and should be retained by the owner after the installation has been completed.

Every effort has been expended to make sure that the information in this manual is both accurate and current. However, the manufacturer reserves the right to change, alter or otherwise improve the system at any time without prior notice.

### For the Home Owner

To help you make informed choices and communicate effectively with your installation contractor(s),

**Read and understand the Owner Orientation Section of this manual before contracting or starting your power management system installation.**

To arrange for proper installation, contact the store at which you purchased your power management system, your dealer, or your utility power provider.

**The power management system warranty is VOID unless the system is installed by a licensed electrical professional.**

### Owner Orientation

The illustrations provided are for typical circumstances and are meant to familiarize you with the installation options available with your power management system.

Local codes, appearance, and distances are the factors that must be considered when negotiating with an installation professional. As the distance from the existing electrical service increases, compensation in wiring materials must be allowed for. This is necessary to comply with local codes and overcome electrical voltage drops.

**The factors mentioned above will have a direct effect on the overall price of your power management system installation.**

**NOTE:** Your installer must check local codes AND obtain permits before installing the system.

- Read and follow the instructions given in this manual.
- Follow a regular schedule in caring for and using your power management system, as specified in this manual.

### Installer Responsibilities

- Read and observe the safety rules.
- Read and follow the instructions given in this manual.
- Check federal, state and local codes.
- Consult with owner to determine loads to be controlled and their priorities.

**NOTE:** A worksheet for determining which loads are to be transferred and their priorities is provided on page 11.

- The installer may need to provide appropriate rated contactors based on loads to be controlled.

### Equipment Description

The power management system is designed to control six priority loads and up to two air conditioner loads that are being supplied by power from the home standby system. This power management system goes into a STANDBY mode and does not control any loads when utility power is present.

The power management system consists of a relay board with 6 relays to control loads rated up to 120 VAC, 20 Amps, 1 hp, and a control module that has 2 relays for central air conditioner loads. The circuit boards are housed in a NEMA 3R enclosure that is suitable for both indoor and outdoor installations.

Two (2) current transformers monitor generator current at the transfer switch to ensure that the loading of the generator does not exceed 85 percent. Should load exceed 85 percent, the power management system will shed loads to keep the generator from overloading. The power management system will add load back once sufficient current is available.

The control module has a green LED for each relay to indicate when the relays are supplying power to the loads when on generator power. There is also a status LED that flashes when the power management system is functioning properly.

# Installation

## Unpacking

### Delivery Inspection

After removing the carton, carefully inspect the power management system components for any damage that may have occurred during shipment.

**IMPORTANT:** If loss or damage is noted at time of delivery, have the person(s) making delivery note all damage on the freight bill and affix his signature under the consignor's memo of loss or damage. If loss or damage is noted after delivery, contact the carrier for claim procedures. Missing or damaged parts are not warranted.

### Shipment Contents

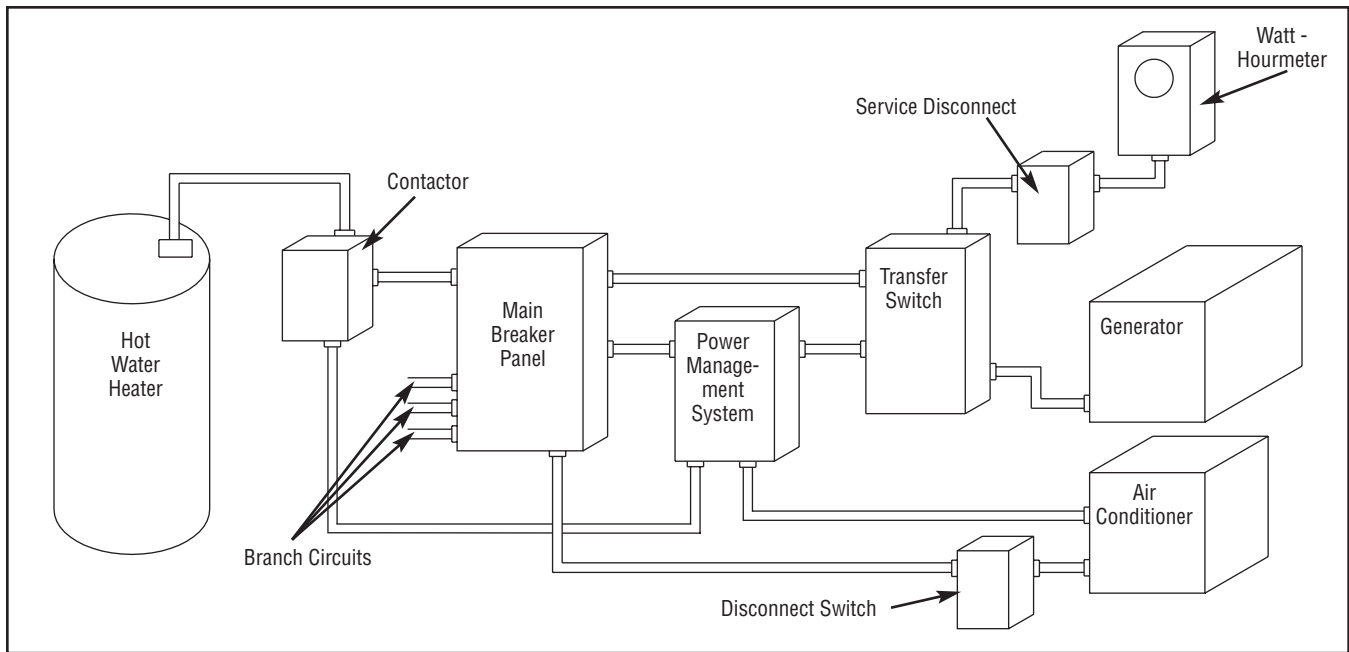
- Power Management System
- Installation and Operator's Manual
- Wire Connectors (4)
- 1/4" Double Male, Single Female Lugs (2)

## Mounting Guidelines

The power management system is enclosed in a NEMA Type 3R enclosure suitable for indoor/outdoor use. Guidelines for mounting the power management system include:

- Install power management system on a firm, sturdy supporting structure.
- The power management system must be installed with minimum NEMA 3R hardware for conduit connections.
- Level and plumb the enclosure. This can be done by placing washers between the power management system enclosure and the mounting surface.
- Never install the power management system where any corrosive substance might drip onto the enclosure.
- Protect the power management system at all times against excessive moisture, dust, dirt, lint, construction grit and corrosive vapors.

A typical installation of the power management system is depicted below. It is best if it is mounted near the main breaker panel, either inside or outside. Discuss layout suggestions/changes with the owner before beginning the system installation process.



## Power Wiring Interconnections

All wiring must be the proper size, properly supported and protected by conduit. All wiring should be done per applicable federal, state and local codes, standards and regulations.

Complete the following connections between the transfer switch, power management system and main breaker panel. Also see the Wiring Decal on page 10.

### **WARNING**



Low voltage wire cannot be installed in same conduit as power voltage wiring.

- Failure to follow above warning could cause personal injury, damage and/or malfunction of equipment.

1. Set generator's system switch to **OFF** position.
2. Set generator's main circuit breaker to **OFF** (open) position.
3. Identify loads and their priorities (using list developed with owner) to be transferred to power management system in main breaker panel.
4. In main breaker panel, turn selected load circuit breakers to **OFF** position.

### **NOTICE**

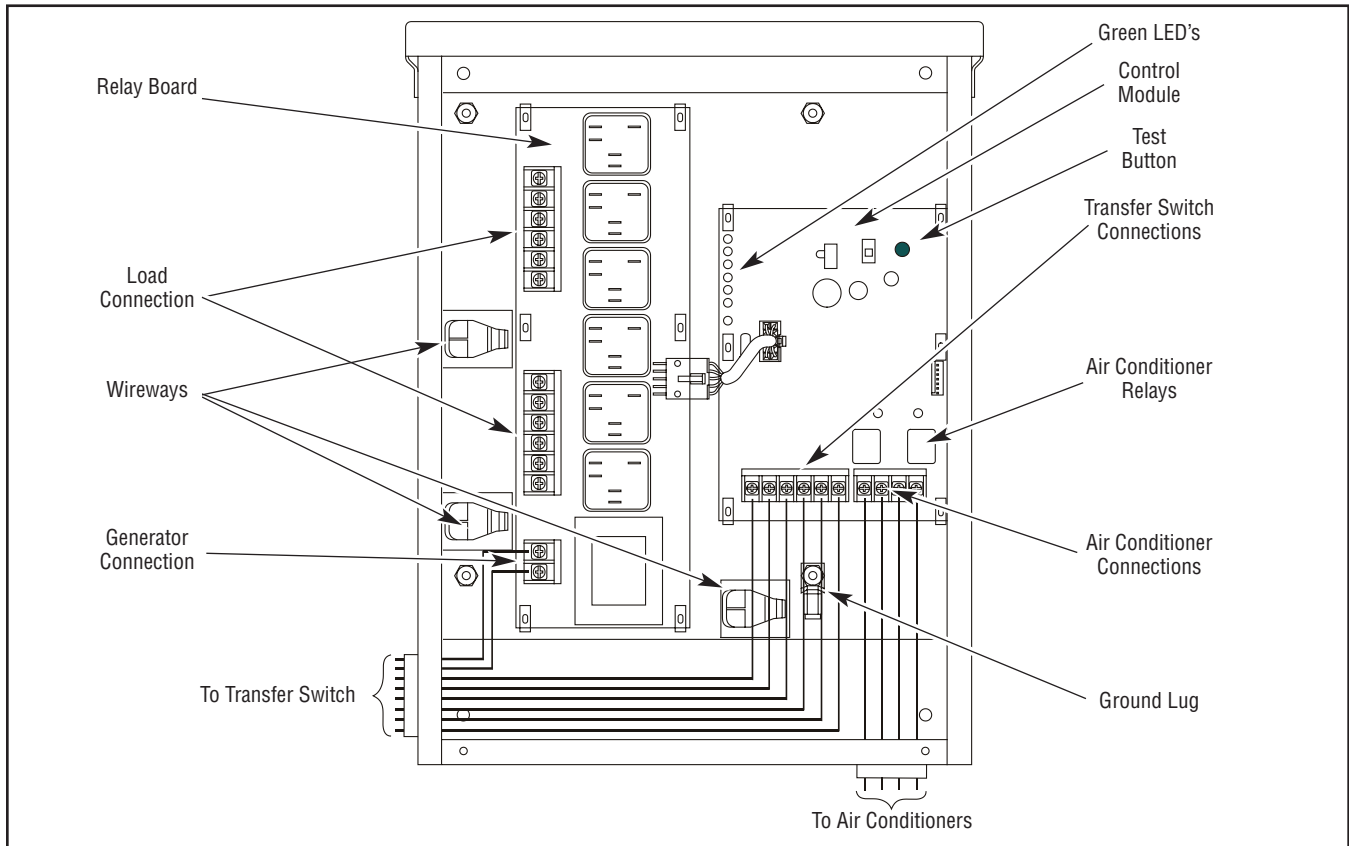
Improper installation can cause damage to the circuit boards and shorten their life. Installing circuit boards in live circuits will damage the board and is not a warranty condition. ALWAYS disconnect ALL sources of power prior to servicing.

- Remove all power prior to installing this power management system. Failure to do so could cause internal damage to the board when making electrical connections.
- Turn generator to OFF position.
- Turn off utility power to the home standby generator and transfer switch.

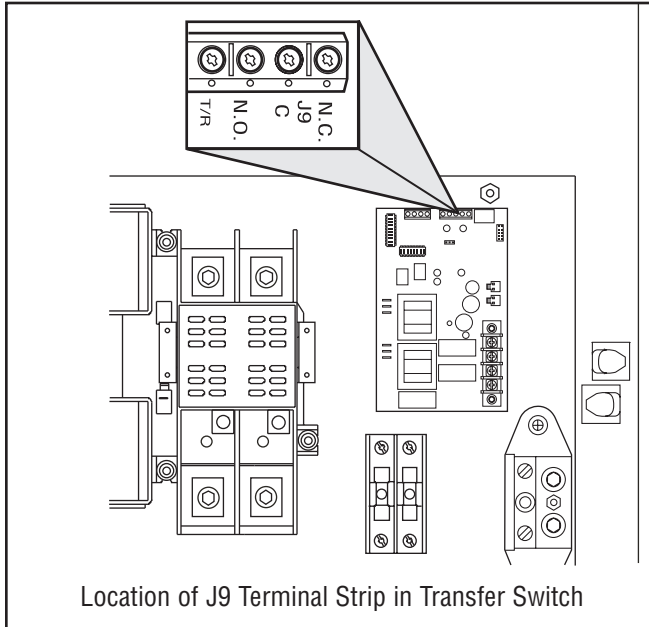
5. Connect "GND" lug to an approved ground.

**NOTE:** Assure grounding electrode conductor is connected and bonded per applicable federal, state and local codes, standards and regulations.

6. Using installer supplied 300VAC or greater wire and supplied 1/4" double male, single female lugs, connect generator 240VAC from transfer switch to relay board in power management system.
7. Unplug current transformers from control module in transfer switch.



8. Cut two pin connector ends off of current transformer leads and discard. Strip wires and place in supplied wire connectors.
9. Using installer supplied 300VAC or greater wire, run wires from wire connectors to control module terminal block labeled "CT1A" through "CT2B" in power management system.
10. Using installer supplied 300VAC or greater wire, connect C (Common) and NO (Normally Open) terminals on terminal strip J9 of control module in transfer switch to control module terminal block labeled "TXSF" and "TXFG" in power management system.



11. Wire the air conditioner thermostat control wiring to the control module labeled "AC1A-AC2B" in power management system.

**NOTE:** AC1A and AC1B is for the priority 1 air conditioner. AC2A and AC2B is for the priority 2 air conditioner.

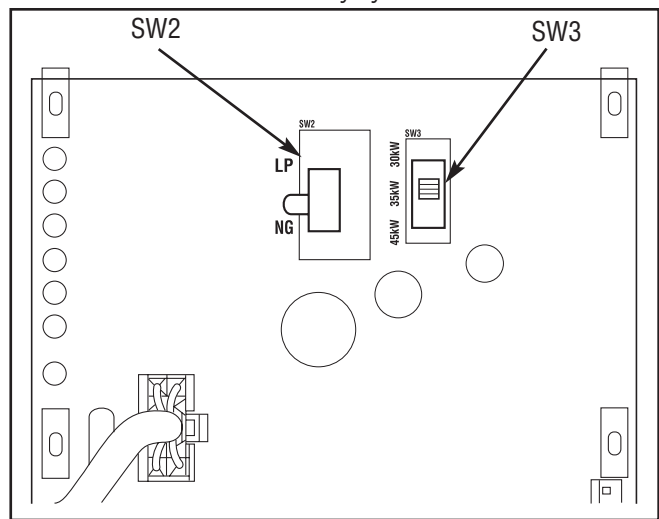
12. For 120VAC selected loads, remove wire from selected load circuit breaker.
13. Using installer supplied 300VAC or greater wire, connect selected load circuit breaker to terminal block at power management system labeled "CB/B1" for priority 1 load.
14. Using installer supplied 300VAC or greater wire and a wire nut, connect the selected load wire to terminal block in power management system labeled "RLY/B1" for priority 1 load.
15. Repeat steps 12 through 14 for all other 120VAC priorities using terminals "CB/C1" through "RLY/D2".
16. For 240VAC selected loads, remove both wires from selected load circuit breaker and place in load side of installer supplied contactor.

17. Using installer supplied 300VAC or greater wire, connect circuit breaker to line side of contactor.
18. Using installer supplied 300VAC or greater wire, connect one pole of the circuit breaker to terminal block in power management system labeled "CB/B1" for a priority 1 load.
19. Using installer supplied 300VAC or greater wire, connect Neutral in main breaker panel to contactor coil.
20. Using installer supplied 300VAC or greater wire, connect contactor coil to terminal block in power management system labeled "RLY/B1" for a priority 1 load.
21. Repeat steps 16 through 20 for all other 240VAC priorities using terminals "CB/C1" through "RLY/D2".
22. Tighten all wire connections/fasteners to proper torque. See inside power management system enclosure for proper torque values.

### System Setup

You must perform the following before operating the system:

- Place the switch labeled "SW2" on the control module in the NG or LP position, whichever is appropriate for the installed home standby system.



- Place the switch labeled "SW3" on the control module to match the rating of the home standby system.
- In main breaker panel, turn selected load circuit breakers to the ON position.

**IMPORTANT:** After installation of the power management system is complete, turn on utility power to the home standby generator and transfer switch. Wait one minute before turning generator to **AUTO**.



## Testing the Power Management System

With the generator in “**AUTO**” position, turn the service disconnect feeding the transfer switch contactor to the “**Off**” position. The generator will start and the transfer switch will transfer to generator power.

Press the test button on the control module of the power management system. As the button is pressed, a relay will energize. Each time the button is pressed, the previous relay that was energized, will de-energize and the next relay will energize.

Press the test button once and relay B2 will energize. Press the test button again and B2 will de-energize and relay C1 will energize. This will proceed until all relays have been tested or if the test button has not been pressed for a period of 30 seconds, the test sequence will halt and the system will go back to automatic control.

To go back to utility power, turn the service disconnect feeding the transfer switch contactor to the “**On**” position.

---

## Controls

There are no operator controls in this Power Management System.

## Operation

When the home standby system is providing power to the transfer switch, the power management system is constantly monitoring generator power to control loads. The power management system monitors both incoming generator lines and keeps the home standby system loaded to a maximum of 85-86 percent of rated load. When the current transformers on any line start to see current reach 85-86 percent of rated load, the power management system will start shedding loads based on the lowest priority and work its way to the highest priority. When current has dropped below 85-86 percent of rated load, the power management system will start to add loads based on the highest priority first, followed by the second highest until the generator reaches 85-86 percent load or all priorities are back on line. The power management system will operate this way until the transfer switch transfers back to utility position.

The power management system waits 5 seconds between adding or shedding each load to permit the system to stabilize. When a relay is opened, the relay will stay opened for a minimum of 5 minutes or until the load can be added without putting the generator over 85-86 percent of rated load. If a large load demand is seen, the power management system will shed **all** loads in less than 1.5 seconds to prevent the generator from overloading. Once the demand has stabilized, the power management system will start with the highest priority, wait 5 seconds and then add the next priority. The unit will continue to do this until all loads are added or 85-86 percent of rated load is reached.

When the generator is powering loads, the A/C relays are open. When one or both of the relays sense 24VAC from the thermostat(s), the controller will shed loads B1-D2, and then will allow only one A/C relay to close. A1 has priority over A2. A2 can close when the signal for A1 has expired. When the A/C's are being called to run, all loads are to be shed before the A/C unit can be added. Should A/C 1 call while A/C 2 is running, A/C 2 shall open, all relays would open and then A/C 1 can close. When the A/C relays open, they are to be locked out for a minimum of 5 minutes or until they receive a call to start the A/C.

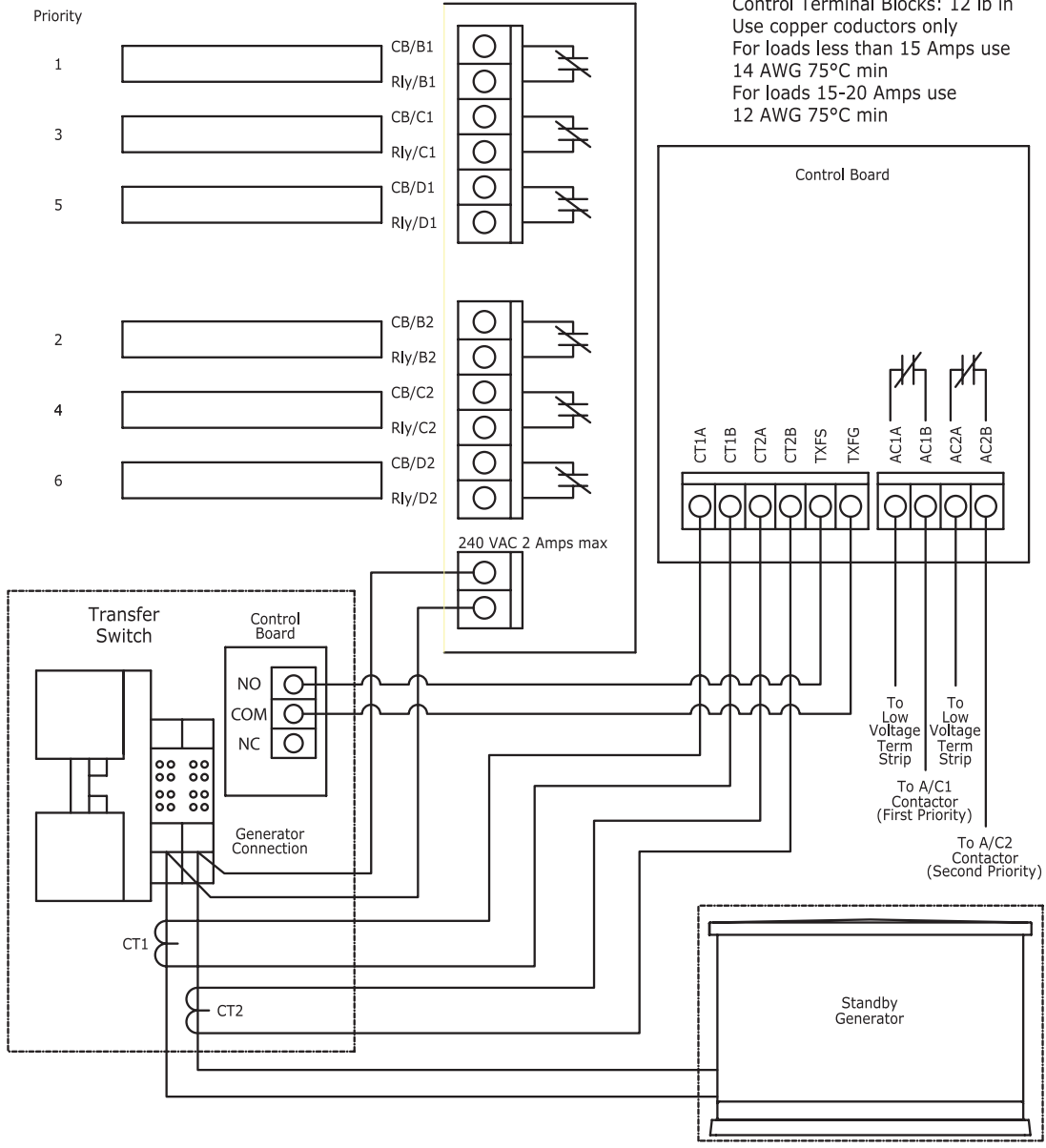
# Wiring Decal

Operation

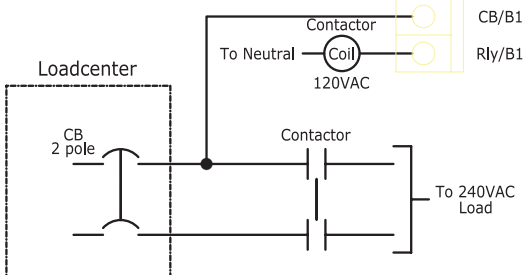
Note: Loads added in ascending order, loads shed in descending order

Relay contacts B1-D2 rated: 120VAC, 20 Amp, 1hp, 768VA pilot duty  
 Relay contacts AC1 and AC2 rated: 30VAC, class 2

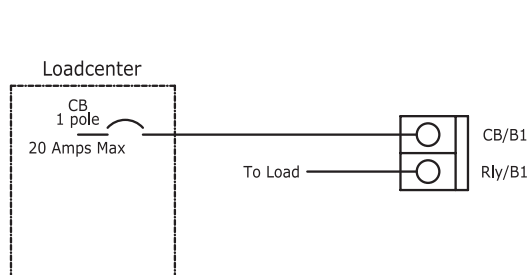
Connector tightening torques shall be as follows:  
 Ground lug:  
 14-10 AWG: 20 lb in.  
 8 AWG: 25 lb in.  
 6-4 AWG: 35 lb in.  
 Control Terminal Blocks: 12 lb in  
 Use copper conductors only  
 For loads less than 15 Amps use 14 AWG 75°C min  
 For loads 15-20 Amps use 12 AWG 75°C min



Contactor Example:  
 Typical control of 240VAC load



Relay Example:  
 Typical control of 120VAC load



## Electrical Load Worksheet

Priority	120VAC Electrical Appliances	Priority	240VAC Electrical Appliances
	Window Air Conditioner 1		Central Air Conditioner 1
	Window Air Conditioner 2		Central Air Conditioner 2
	Window Air Conditioner 3		Range/Stove
	Refrigerator 1		Dryer
	Refrigerator 2		Well Pump
	Freezer 1		Hot Tub
	Freezer 2		Pool Heater
	Microwave		Water Heater
	Bathroom		Other: _____
	Auxiliary Heater		Other: _____
	Home Theater System		Other: _____
	Garage Heater		
	Sink Water Heater		
	Sewage Lift Pump		
	Other: _____		
	Other: _____		
	Other: _____		

Operation

**IMPORTANT:** DO NOT connect furnace, sewage pump and sump pump to power management system.

## Maintenance

The power management system is designed to be maintenance free under normal usage. However, inspection and maintenance checks should be made on a regular basis. Maintenance will consist mainly of keeping the power management system clean.

Visual inspections should be done at least once a month. Access to power management system must not be obstructed. Keep 3 feet (92 cm) clearance around power management system. Check for an accumulation of dirt, moisture and/or corrosion on and around the enclosure, loose parts/hardware, cracks and/or discoloration to insulation, and damaged or discolored components.

Exercise the power management system at least once every three months as described in the previous section *Testing the Power Management System* unless a power outage occurs and Home Generator System has gone through automatic sequence. Allow generator to run for at least 30 minutes.

Contact a licensed electrical professional to inspect and clean the inside of your power management system at least once a year.

## When Calling the Factory

Before contacting Briggs & Stratton regarding service or repair of this power management system, obtain the Model Number and Serial Number from the unit data decal located on or inside the enclosure.

To contact Briggs & Stratton call **(800) 743-4115**, between 8:00 AM and 5:00 PM CT.

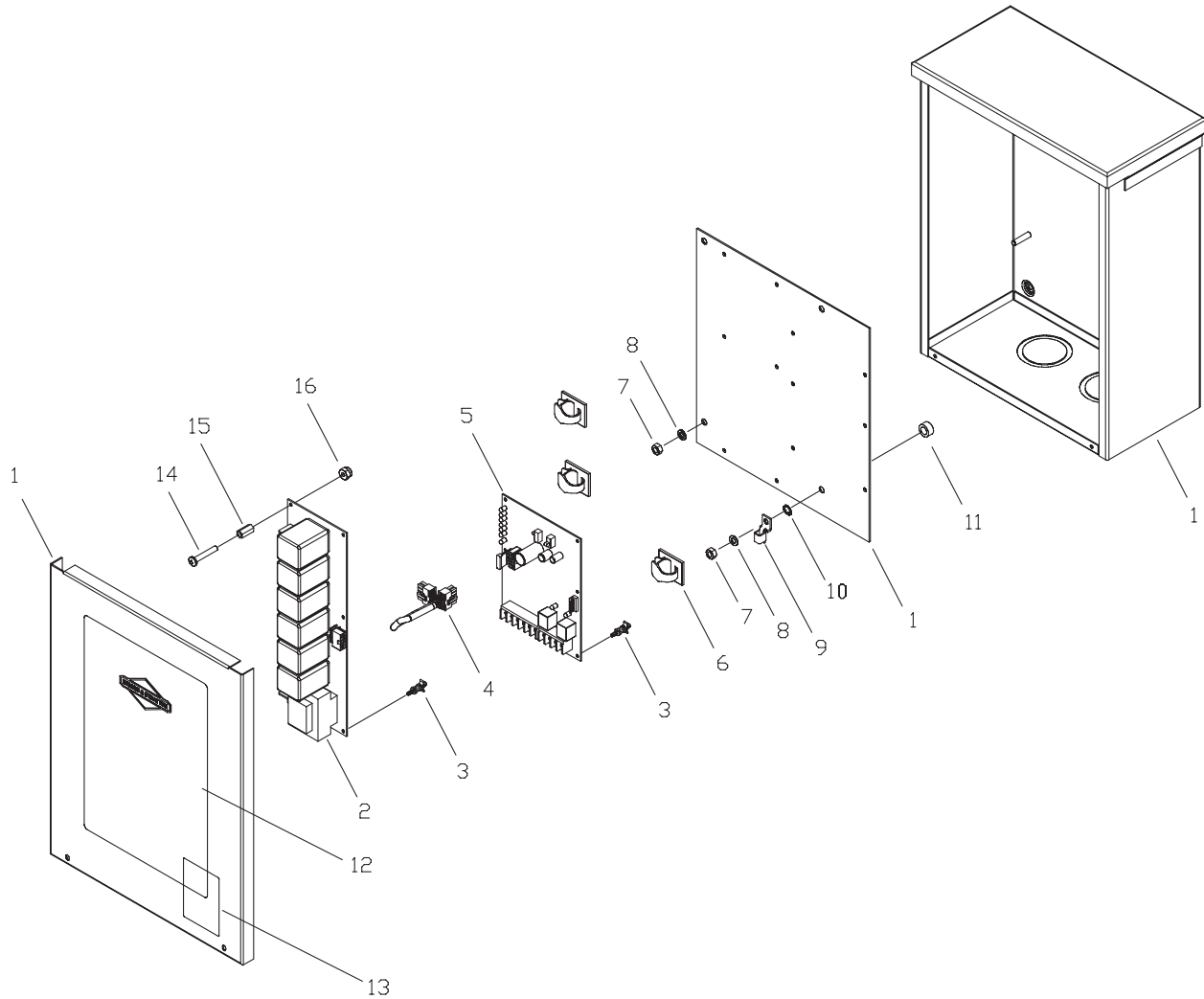
## Specifications

Rated AC Voltage .....125/250 Volts  
Frequency .....50/60 Hz  
Relay Contacts  
Rating .....125 VAC, 20A, 1 HP, 768 VA Pilot Duty  
Dimensions .....Approximately 16" H X 12" W X 6" Deep  
Weight .....34 lbs.

# Troubleshooting

Problem	Cause	Correction
<p><b>Supervised loads (air conditioner, etc.) are not operating when generator is supplying power</b></p>	<ol style="list-style-type: none"> <li>1. AC1A-AC2B contacts not operating correctly.</li> <li>2. Too much load on generator.</li> <li>3. Current transformer not connected.</li> <li>4. Broken current transformer.</li> <li>5. Status LED stays lit constantly.</li> </ol>	<ol style="list-style-type: none"> <li>1A. Check AC1A-AC2B contacts for proper operation.</li> <li>B. Check control wiring to external load.</li> <li>C. Check harness between boards is properly connected.</li> <li>D. Check that there is 24 VAC to one of the terminals.</li> <li>E. Be sure 5 minute lock out has elapsed.</li> <li>F. Be sure air conditioner start time delay has elapsed.</li> <li>2. Decrease load to generator.</li> <li>3. Connect current transformer.</li> <li>4. Replace current transformer.</li> <li>5. Contact an authorized service center.</li> </ol>

# Illustrated Parts List



Troubleshooting

Item	Part #	Description
1	NSP	ENCLOSURE
2	196616GS	BOARD, Load Control Center Relay
3	197979GS	SPACER, PCB Board, 1/2"
4	198112GS	HARNESS, Wire, Load Control Center
5	204056GS	BOARD, Load Control Center
6	198431GS	CLIP, Latching Wire
7	*	NUT, 1/4 - 20
8	*	WASHER, Lock 1/4
9	186345GS	TERMINAL
10	*	WASHER, Shakeproof, Ext M6 - 1/4
11	192150GS	SPACER
12	202426GS	DECAL

Item	Part #	Description
13	198655GS	DECAL, Warning
14	*	PPHMS, 8-32 x 1
15	200574GS	SPACER, 4 x 25
16	200576GS	NUT, Hex, 8 - 32, w/Locking Insert

### Parts Not Illustrated

203420GS	MANUAL, Load Control Center
197956GS	BLOCK, Terminal w/ Levers
74094GS	LUG, 1/4 Tab
77211GS	LUG, 1/4, 18-22

\* - Items without part numbers are common fasteners and are available at local hardware stores.



## BRIGGS & STRATTON POWER PRODUCTS GROUP, LLC TRANSFER SWITCH OWNER WARRANTY POLICY

Effective November 1, 2005 replaces all undated Warranties and all Warranties dated before November 1, 2005

### LIMITED WARRANTY

Briggs & Stratton Power Products Group, LLC will repair or replace, free of charge, any part(s) of the equipment that is defective in material or workmanship or both. Transportation charges on product submitted for repair or replacement under this warranty must be borne by purchaser. This warranty is effective for the time periods and subject to the conditions stated below. For warranty service, find the nearest Authorized Service Dealer in our dealer locator map at BRIGGSandSTRATTON.COM.

THERE IS NO OTHER EXPRESS WARRANTY. IMPLIED WARRANTIES, INCLUDING THOSE OF MERCHANTABILITY AND FITNESS FOR A PARTICULAR PURPOSE, ARE LIMITED TO ONE YEAR FROM PURCHASE, OR TO THE EXTENT PERMITTED BY LAW. ANY AND ALL IMPLIED WARRANTIES ARE EXCLUDED. LIABILITY FOR INCIDENTAL OR CONSEQUENTIAL DAMAGES ARE EXCLUDED TO THE EXTENT EXCLUSION IS PERMITTED BY LAW. Some states or countries do not allow limitations on how long an implied warranty lasts, and some states or countries do not allow the exclusion or limitation of incidental or consequential damages, so the above limitation and exclusion may not apply to you. This warranty gives you specific legal rights and you may also have other rights which vary from state to state or country to country.

### WARRANTY PERIOD

<b>Consumer Use</b>	<b>3 years</b>
<b>Commercial Use</b>	<b>None</b>

The warranty period begins on the date of purchase by the first retail consumer or commercial end user, and continues for the period of time stated in the table above. "Consumer use" means personal residential household use by a retail consumer. "Commercial use" means all other uses, including use for commercial, income producing or rental purposes. Once equipment has experienced commercial use, it shall thereafter be considered as commercial use for purposes of this warranty. Equipment used for prime power in place of utility are not applicable to this warranty.

NO WARRANTY REGISTRATION IS NECESSARY TO OBTAIN WARRANTY ON BRIGGS & STRATTON PRODUCTS. SAVE YOUR PROOF OF PURCHASE RECEIPT. IF YOU DO NOT PROVIDE PROOF OF THE INITIAL PURCHASE DATE AT THE TIME WARRANTY SERVICE IS REQUESTED, THE MANUFACTURING DATE OF THE PRODUCT WILL BE USED TO DETERMINE THE WARRANTY PERIOD.

### ABOUT YOUR WARRANTY

We welcome warranty repair and apologize to you for being inconvenienced. Any Authorized Service Dealer may perform warranty repairs. Most warranty repairs are handled routinely, but sometimes requests for warranty service may not be appropriate. For example, warranty service would not apply if equipment damage occurred because of misuse, lack of routine maintenance, shipping, handling, warehousing or improper installation. Similarly, the warranty is void if the manufacturing date or the serial number on the equipment has been removed or the equipment has been altered or modified. During the warranty period, the Authorized Service Dealer, at its option, will repair or replace any part that, upon examination, is found to be defective under normal use and service. This warranty will not cover the following repairs and equipment:

- **Normal Wear:** Outdoor Power Equipment, like all mechanical devices, needs periodic parts and service to perform well. This warranty does not cover repair when normal use has exhausted the life of a part or the equipment.
- **Installation and Maintenance:** This warranty does not apply to equipment or parts that have been subjected to improper or unauthorized installation or alteration and modification, misuse, negligence, accident, overloading, improper maintenance, repair or storage so as, in our judgment, to adversely affect its performance and reliability. This warranty also does not cover normal maintenance such as adjustments, cleaning and fuse replacement.
- **Other Exclusions:** This warranty excludes wear items or damage or malfunctions resulting from accidents, abuse, modifications, alterations, or improper servicing. Accessory parts are excluded from the product warranty. This warranty excludes failures due to acts of God and other force majeure events beyond the manufacturers control. Also excluded is used, reconditioned, and demonstration equipment. 198180E, Rev. C, 12/31/2006

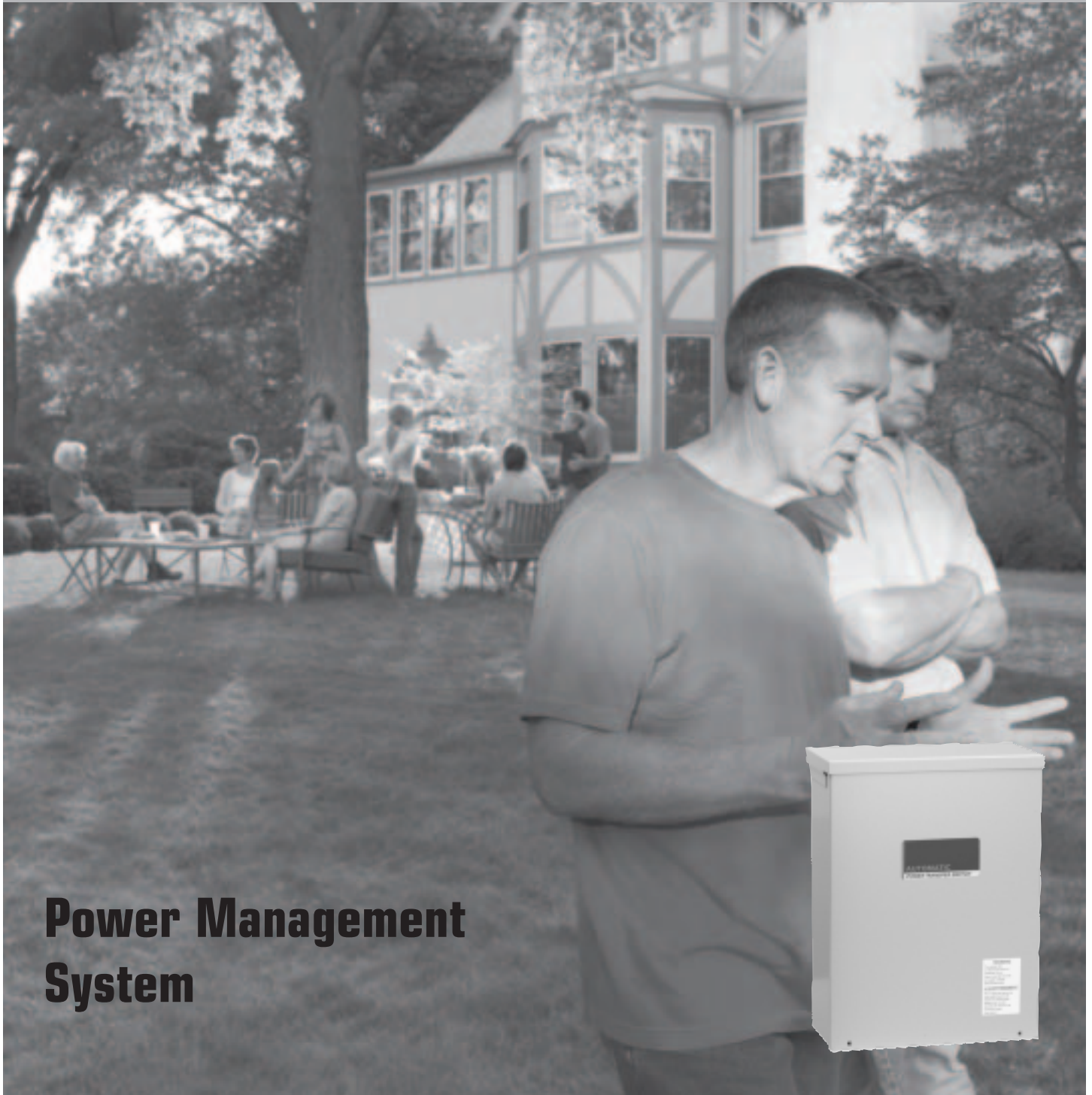
**BRIGGS & STRATTON POWER PRODUCTS GROUP, LLC**  
**JEFFERSON, WI, USA**





# Home Generator Systems

## Manual de Instalación y del Operario



### Power Management System

**Gracias** por comprar este sistema de gestión de energía Briggs & Stratton Power Products. Este producto está pensado para funcionar con generadores de reserva domésticos Briggs & Stratton, por lo que es posible que no pueda utilizarse con generadores de otros fabricantes. Consulte con un electricista cualificado para determinar si este equipo es adecuado para funcionar con generadores no fabricados por Briggs & Stratton. Este producto es un sistema doméstico de reserva opcional y proporciona una fuente alternativa de energía eléctrica con capacidad para alimentar cargas tales como calderas de gas y sistemas de refrigeración y de telecomunicaciones, que cuando dejan de funcionar a causa de una interrupción de la alimentación eléctrica de la red pueden producir incomodidades o problemas. Este producto no pertenece a la categoría de reserva de emergencia según lo definido por la norma NFPA 70 (NEC).

**Este manual contiene** información de seguridad sobre los riesgos asociados con los sistemas de gestión de energía y sobre cómo evitarlos. Briggs & Stratton ha realizado el máximo esfuerzo para que la instalación resulte segura, sencilla y económica. Cada instalación es única, lo que hace imposible conocer y recomendar todos los procedimientos y métodos posibles para efectuarla. No conocemos todos los riesgos y/o resultados posibles de cada método o procedimiento. **Guarde estas instrucciones para futuras consultas.**

**Antes de utilizar el sistema de gestión de energía, es necesario instalarlo.** Consulte en la sección *Instalación* de este manual las instrucciones o procedimientos de instalación. **Los sistemas de gestión de energía sólo deben ser instalados por electricistas cualificados. Las instalaciones deben cumplir estrictamente la totalidad de la normativa vigente.**

## Dónde encontrarnos

Nunca tendrá que buscar mucho para poder obtener soporte y servicio técnico de Briggs & Stratton para su sistema de gestión de energía. Consulte las páginas amarillas. Hay más de 30.000 distribuidores de servicio autorizados Briggs & Stratton en todo el mundo que le ofrecerán un servicio de calidad. También puede dirigirse al departamento de servicio al cliente de Briggs & Stratton llamando al **(800) 743-4115** o por Internet, en el sitio web **BRIGGSandSTRATTON.COM**.

### Sistema de Gestión de Energía

Número de Modelo

--	--	--	--	--	--	--	--	--	--	--

Revisión

--	--

Número de Serie

--	--	--	--	--	--	--	--	--	--	--	--	--	--	--	--	--	--	--	--	--

### Fecha de compra

--	--	--	--	--	--

Briggs & Stratton Power Products Group, LLC.  
900 North Parkway  
Jefferson, WI 53549

Copyright © 2007 Briggs & Stratton Power Products Group, LLC.  
Reservados todos los derechos. Queda prohibida la reproducción o transmisión total o parcial de este material, sea cual sea la forma y el medio empleados para ello, sin el permiso previo y por escrito de Briggs & Stratton Power Products Group, LLC.

# Tabla de Contenido

<b>Instrucciones importantes de seguridad</b> .....	<b>4</b>
Orientación para el Propietario .....	5
Responsabilidades del Instalador .....	5
Descripción del Equipo .....	5
<b>Instalacion</b> .....	<b>6</b>
Desempaque .....	6
Pautas de Montaje .....	6
Interconexiones de Cableado de Energía .....	7
Configuración del Sistema .....	8
Prueba del sistema de gestión de energía eléctrica .....	9
<b>Mandos</b> .....	<b>9</b>
<b>Sistema Funcionamiento</b> .....	<b>9</b>
Alambrar la calcomanía .....	10
Hoja de trabajo de cargas eléctricas .....	11
<b>Mantenimiento</b> .....	<b>12</b>
Especificaciones .....	12
<b>Reparacion de Averias</b> .....	<b>13</b>
<b>Garantia</b> .....	<b>14</b>

Seguridad

Instalación

Controles

Utilización

Mantenimiento

Problemas

Garantía

## Conserve estas instrucciones

### Instrucciones importantes de seguridad



Éste es el símbolo de alerta de seguridad. Sirve para advertir al usuario de un posible riesgo para su integridad física. Siga todos los mensajes de seguridad que figuren después de este símbolo para evitar lesiones o incluso la muerte.

El símbolo de alerta de seguridad (▲) se utiliza con una palabra de señalización (**PELIGRO**, **PRECAUCIÓN**, **ADVERTENCIA**), una imagen y/o un mensaje de seguridad para advertir al usuario de un riesgo. **PELIGRO** indica un riesgo que, de no evitarse, provocará la muerte o lesiones de gravedad. **ADVERTENCIA** indica un riesgo que, de no evitarse, puede provocar la muerte o lesiones de gravedad. **PRECAUCIÓN** indica un riesgo que, de no evitarse, puede provocar lesiones moderadas. Cuando se utiliza sin el símbolo de alerta, **AVISO** indica una situación que podría producir daños en el equipo. Siga en todo momento los mensajes de seguridad para evitar o reducir el riesgo de lesiones y de muerte.

El fabricante no puede prever todas las posibles circunstancias que pueden implicar riesgos. Por lo tanto, las advertencias que aparecen en este manual y las etiquetas y calcomanías adheridas a la unidad no incluyen todas las posibilidades. Si aplica un procedimiento, método de trabajo o técnica de operación no recomendada específicamente por el fabricante, debe estar seguro de que se trata de una práctica segura para usted y para otras personas. También debe asegurarse de que el procedimiento, método de trabajo o técnica de operación que elija, no haga que el sistema de gestión de energía eléctrica se torne inseguro.

#### ▲ ADVERTENCIA

Únicamente los electricistas capacitados pueden intentar instalar este sistema. Dicha instalación debe cumplir estrictamente con los códigos, las regulaciones y las normas correspondientes.

#### ▲ ADVERTENCIA



Los cables de baja tensión no se pueden instalar en el mismo conducto que los cables de suministro de energía.

- Si no se respeta esta indicación pueden producirse lesiones, daños y/o fallos de funcionamiento del equipo.

#### ▲ ADVERTENCIA



Si no hace tierra apropiadamente con un sistema de gestión de energía eléctrica, puede hacer que ocurra un electrocutamiento.

- No toque los alambres pelados o receptáculos.
- No use un sistema de gestión de energía eléctrica con cables eléctricos que estén malgastados, rotos, pelados o dañados de cualquier forma.
- No maneje el cables eléctricos mientras esté parado en agua, descalzo o cuando las manos y los pies estén mojados.
- Si fuera necesario realizar trabajos en cercanías de la unidad mientras está en funcionamiento, párese sobre una superficie seca y aislada para reducir los riesgos de una descarga.
- No permita que personas descalificadas o niños operen o sirvan al sistema de gestión de energía eléctrica.
- En caso de que se produzca un accidente causado por una descarga eléctrica, cierre inmediatamente la fuente de energía eléctrica y contacta administración local. **Evite el contacto directo con la víctima.**

#### ▲ ADVERTENCIA



El sistema de gestión de energía eléctrica contiene alta tensión que puede provocar lesiones o la muerte.

- A pesar del diseño seguro del sistema de gestión de energía eléctrica, si se opera este equipo en forma imprudente, si no se cumple con el mantenimiento o si se actúa con descuido, se pueden producir lesiones o la muerte.

#### AVISO

El tratamiento inadecuado del sistema de gestión de energía eléctrica puede dañarlo y acortar su vida productiva.

- Use el sistema de gestión de energía eléctrica solamente con la finalidad para el cual fue diseñado.
- Si usted tiene alguna pregunta acerca de las finalidades de uso del generador, pregúntele a su concesionario o contacte a Briggs & Stratton.
- NO exponga al sistema de gestión de energía eléctrica a una humedad excesiva, polvo, suciedad o vapores corrosivos.
- Permanezca siempre alerta cuando trabaje con este equipo. NUNCA trabaje con este equipo si se siente cansado física o mentalmente.
- Si se calientan excesivamente los dispositivos conectados, apáguelos y abra sus interruptores o quite sus fusibles.

## Introducción

Su sistema de gestión de energía Briggs & Stratton (B&S) se suministra con este "Manual de Instalación y del Operario" combinado. Se trata de un documento importante que debe ser conservado por el propietario después de haber terminado la instalación.

Se han tomado todos los recaudos posibles para asegurar que la información incluida en este manual sea correcta y esté actualizada. Sin embargo, los fabricantes se reservan el derecho de cambiar, alterar o mejorar el sistema de cualquier otra manera y en cualquier momento, sin previo aviso.

### Para el Propietario Doméstico

Para que pueda tomar decisiones fundamentadas y lograr una comunicación efectiva con el o los contratistas de instalación,

**Lea y comprenda la sección de este manual denominada Orientación para el Propietario ANTES de contratar o iniciar la instalación de su sistema de gestión de energía eléctrica.**

Para coordinar y organizar una instalación adecuada, consulte al comercio en el cual adquirió su sistema de gestión de energía eléctrica, a su agente de ventas o a la compañía proveedora de electricidad.

**La garantía del sistema de gestión de energía eléctrica se ANULA si la instalación del sistema no está a cargo de profesionales especializados en electricidad certificados.**

### Orientación para el Propietario

Las ilustraciones incluidas en el manual corresponden a circunstancias habituales y tienen por objeto familiarizarle con las opciones de instalación del sistema de gestión de energía.

Los códigos locales, la apariencia y las distancias son los factores fundamentales a tener en cuenta cuando se realiza la negociación con el profesional que tendrá a su cargo la instalación. Recuerde que a medida que la distancia del servicio de electricidad existente aumenta, se debe tener en cuenta una compensación igual en los materiales de cableado. Esto es necesario para cumplir con los códigos locales y solucionar caídas en la tensión eléctrica.

**Los factores antes mencionados tendrán un efecto directo sobre el precio general de la instalación del sistema de gestión de energía eléctrica.**

**NOTA:** El instalador debe verificar los códigos locales Y obtener los permisos correspondientes antes de instalar el sistema.

- Lea y cumpla las instrucciones incluidas en el manual.
- Siga un programa regular para cuidar y utilizar el sistema de gestión de energía eléctrica, según se especifica en el manual.

### Responsabilidades del Instalador

- Lea y observe las reglas de seguridad que se encuentran en el manual.
- Lea y siga las instrucciones que se encuentran en este manual.
- Consulte toda la normativa nacional y local.
- Consulte al propietario para determinar las cargas que se tienen que controlar y sus prioridades.

**NOTA:** En la página 11 figura una hoja de trabajo para determinar cuáles son las cargas que se tienen que transferir y sus prioridades.

- Puede que el instalador deba suministrar contactores de capacidad adecuada en función de las cargas que sea necesario controlar.

### Descripción del Equipo

El sistema de gestión de energía está diseñado para controlar seis cargas prioritarias y hasta dos cargas de acondicionador de aire cuya energía eléctrica proceda del sistema doméstico de reserva. El sistema de gestión de energía entra en modo de RESERVA y no controla ninguna carga cuando se utiliza la tensión de la red pública.

El sistema de gestión de energía consta de una tarjeta con seis relés que controla las cargas de hasta 120 V CA, 20 A y 1 hp y de un módulo de control que tiene dos relés para cargas de acondicionamiento de aire central. Las tarjetas de circuitos se ubican en una caja NEMA 3R adecuada para instalaciones tanto en interiores como en exteriores.

Dos (2) transformadores de corriente monitorizan la corriente del generador en el conector para garantizar que la carga del generador no exceda el 85%. En caso de superarse dicha carga, el sistema de gestión de energía eliminará cargas para evitar la sobrecarga del generador. El sistema de gestión de energía volverá a añadir la carga en el momento en que la corriente disponible sea suficiente.

El módulo de control incluye un indicador LED verde para cada relé que indica si los relés suministran energía a las cargas mientras funciona el generador. También incorpora un LED de estado que parpadea cuando el sistema de gestión de energía funciona correctamente.

# Instalación

## Desempaque

### Inspección al Momento de la Entrega

Luego de retirar la caja, inspeccione cuidadosamente los componentes del sistema de gestión de energía eléctrica de energía automática para detectar cualquier daño que pudiera haber ocurrido durante el traslado.

**IMPORTANTE:** Si en el momento de la entrega se detecta alguna pérdida o daño, solicite a la persona o personas encargadas de la entrega que dejen debida constancia en la nota de entrega y que firmen debajo de la nota del consignador donde se informa acerca de la pérdida o daño. Si la pérdida o el daño se detecta después de la entrega, separe los materiales dañados y póngase en contacto con el transportista para llevar a cabo los procedimientos de reclamo. Las piezas perdidas o dañadas no están garantizadas.

### Contenido de la Caja

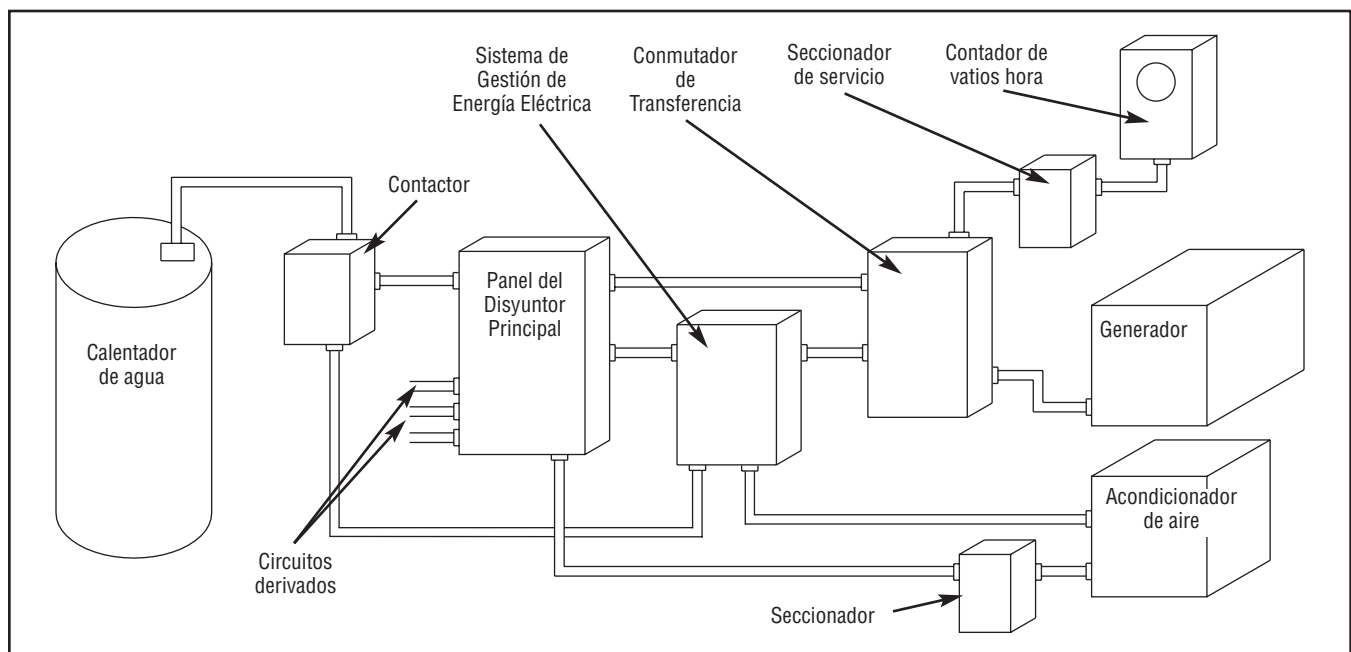
- Sistema de gestión de energía eléctrica
- Manual de instalación y operario
- Conectores de cables (4)
- Terminales macho doble, hembra sencillo de 1/4" (2)

## Pautas de Montaje

El sistema de gestión de energía eléctrica está encerrado en una caja tipo 3R NEMA, que es adecuada para uso en interiores y a la intemperie. Las directrices para el montaje de sistema de gestión de energía eléctrica incluyen:

- Instale el sistema de gestión de energía eléctrica sobre una estructura de soporte firme y resistente.
- El sistema de gestión de energía eléctrica se debe instalar con conexiones mínimas de conduit de fo de hardware de NEMA 3R.
- Nivele la unidad si es necesario. Puede hacerlo colocando arandelas entre el compartimiento del sistema de gestión de energía eléctrica y la superficie de montaje.
- Nunca instale el sistema de gestión de energía eléctrica en un lugar en el cual pueda producirse el goteo de alguna sustancia corrosiva en el compartimiento.
- Proteja permanentemente al sistema de gestión de energía eléctrica contra humedad excesiva, polvo, suciedad, pelusas, arenilla para construcción y vapores corrosivos.

A continuación, se ilustra la instalación habitual del sistema de gestión de energía. Lo mejor es montarlo cerca del panel de interruptores principales en el interior o en el exterior. Antes de iniciar el proceso de instalación del sistema, analice los cambios y sugerencias de diagramación con el propietario de la unidad.



## Interconexiones de Cableado de Energía

Todo el cableado debe tener el tamaño adecuado y debe estar correctamente soportado. También debe estar protegido mediante un conducto.

Realice las siguientes conexiones entre el conector, el sistema de gestión de energía y el panel del disyuntor principal. Consulte también la etiqueta adhesiva de cableado en la página 10.

### ⚠ ADVERTENCIA



El sistema de gestión de energía eléctrica contiene alta tensión que puede provocar lesiones o la muerte.

- A pesar del diseño seguro del sistema de gestión de energía eléctrica, si se opera este equipo en forma imprudente, si no se cumple con el mantenimiento o si se actúa con descuido, se pueden producir lesiones o la muerte.

1. Fije el conmutador del sistema del generador en la posición **OFF**.
2. Ponga el interruptor principal del generador en la posición **OFF** (abierto).
3. Identifique las cargas y sus prioridades (utilizando la hoja suministrada) a transferir al sistema de gestión de energía eléctrica en el panel de interruptores principales.
4. En el panel de interruptores principales ponga los interruptores de las cargas seleccionadas en la posición **OFF**.

### AVISO

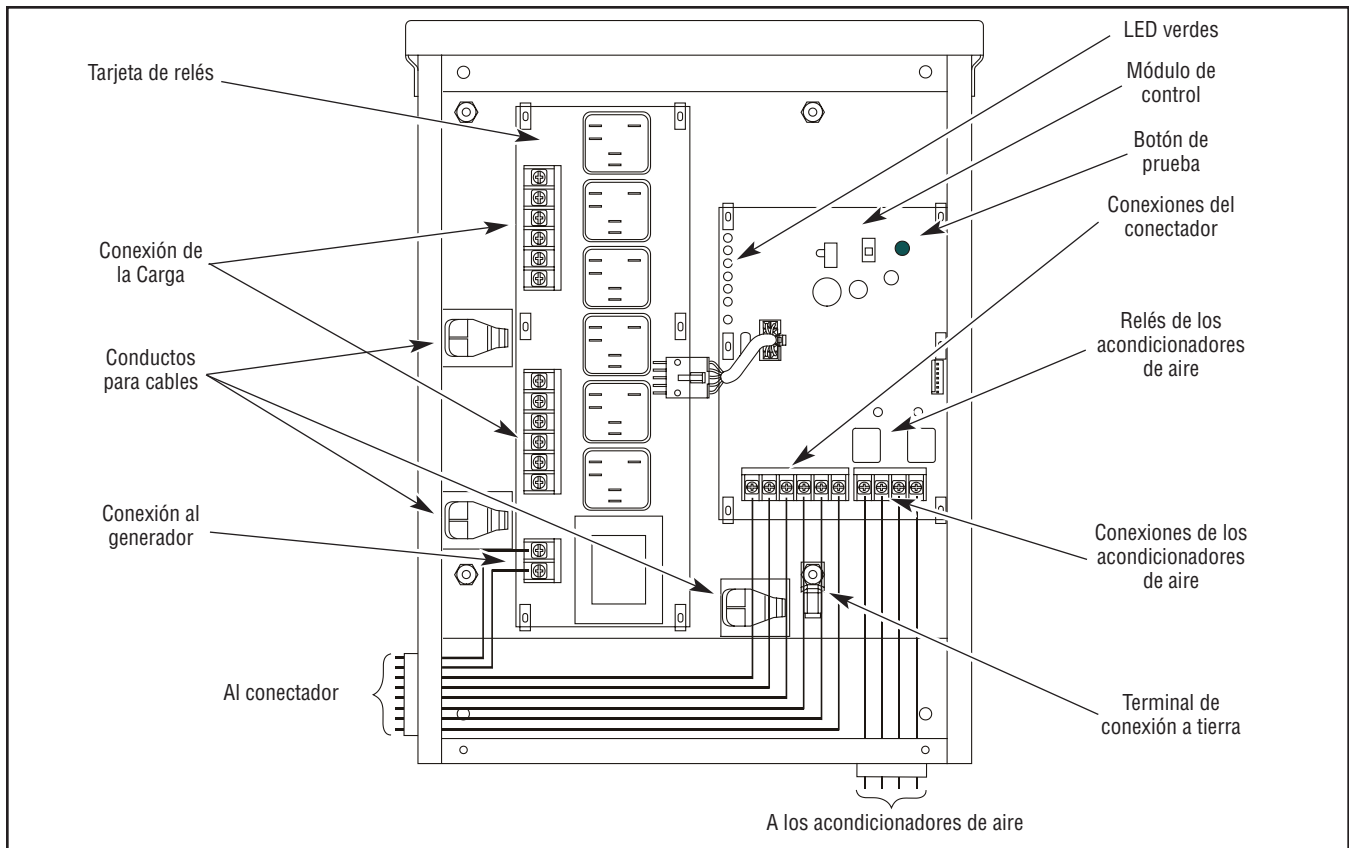
Una instalación incorrecta puede producir daños en las tarjetas de circuito impreso y acortar su duración. La corriente de irrupción o la conexión a tierra de terminales a causa de manipulaciones durante la instalación producirá daños en la tarjeta de circuito impreso y no es una condición de garantía.

- Desconecte toda la alimentación antes de la instalación de este sistema de gestión de energía eléctrica. Si no lo hace, se producirán daños internos en la tarjeta al hacer las conexiones eléctricas.
- Ponga el generador en la posición OFF.
- Desconecte la alimentación de la red al generador de reserva doméstico y al conector.

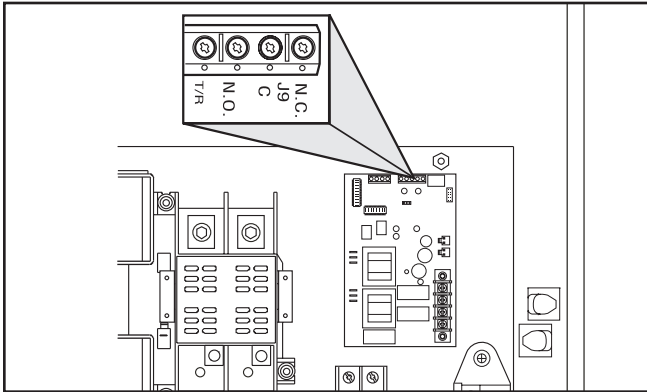
5. Conecte el terminal "GND" a una toma de tierra aprobada.

**NOTA:** Compruebe que el conductor del electrodo de conexión a tierra está conectado conforme a la normativa vigente.

6. Utilice el cable de 300 V CA o capacidad superior suministrado por el instalador y los terminales macho doble, hembra simple de 1/4" suministrados para conectar la salida de 240 V CA del generador desde el conector a la tarjeta del relé del sistema de gestión de energía.
7. Quite transformador de corriente de la tabla de director en el interruptor de la transferencia.



8. Corte los extremos del conector de dos clavijas de los terminales del transformador de corriente y deséchelos. Retire el revestimiento de los cables y colóquelos en los conectores de cables suministrados.
9. Utilizando el cable de 300 V CA suministrado por el instalador o un cable superior, tienda los cables desde los conectores de cables hasta la regleta de terminales de la tarjeta de control con las etiquetas "CT1A" a "CT2B" del sistema de gestión de energía eléctrica.
10. Utilice el cable de 300 V CA o capacidad superior suministrado por el instalador para conectar los terminales C (Común) y NO (Normalmente abierto) a la regleta de terminales J9 del módulo de control del conectador al bloque de terminales "TXSF" y "TXFG" del módulo de control en el sistema de gestión de energía.



11. Conecte el cableado de control del termostato del acondicionador de aire con la tarjeta de control con las etiquetas "AC1A-AC2B" del sistema de gestión de energía eléctrica.

**NOTA:** AC1A y AC1B corresponden al acondicionador de aire con prioridad 1. AC2A y AC2B corresponden al acondicionador de aire con prioridad 2.

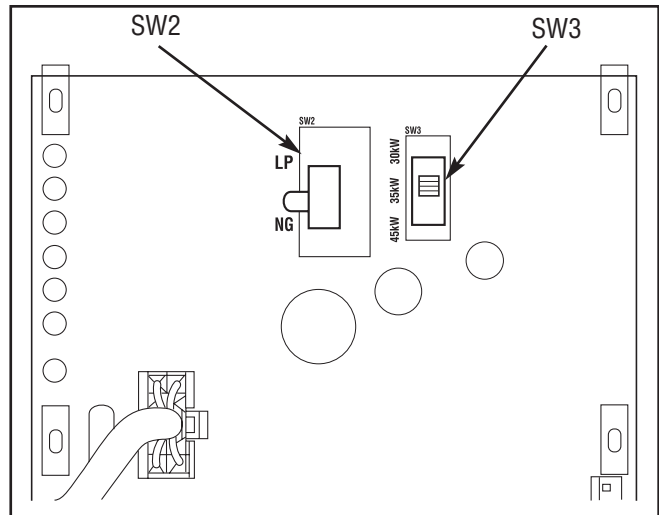
12. Para las cargas seleccionadas de 120 V CA, desconecte el cable del interruptor de la carga seleccionada.
13. Utilizando el cable de 300 V CA suministrado por el instalador o un cable superior, conecte el interruptor de la carga seleccionada a la regleta de terminales del sistema de gestión de energía eléctrica con la etiqueta "CB/B1" para la carga con prioridad 1.
14. Utilizando el cable de 300 V CA suministrado por el instalador o un cable superior, conecte el cable de la carga seleccionada a la regleta de terminales del sistema de gestión de energía eléctrica con la etiqueta "RLY/B1" para la carga con prioridad 1.
15. Repita los pasos 12 al 14 para todas las demás prioridades de 120 V CA utilizando los terminales "CB/C1" a "RLY/D2".
16. Para cargas seleccionadas de 240 V CA, desconecte los dos cables del interruptor de la carga seleccionada y colóquelos en el lado de la carga del contactor suministrado por el instalador.
17. Utilizando el cable de 300 V CA suministrado por el instalador o un cable superior, conecte el interruptor al lado de la línea del contactor.

18. Utilizando el cable de 300 V CA suministrado por el instalador o un cable superior, conecte el interruptor a la regleta de terminales del sistema de gestión de energía eléctrica con la etiqueta "CB/B1" para la carga con prioridad 1.
19. Utilizando el cable de 300 V CA suministrado por el instalador o un cable superior, conecte el neutro del panel de interruptores principales a la bobina del contactor.
20. Utilizando el cable de 300 V CA suministrado por el instalador o un cable superior, conecte la bobina del contactor a la regleta de terminales del sistema de gestión de energía eléctrica con la etiqueta "RLY/B1" para la carga con prioridad 1.
21. Repita los pasos 16 al 20 para todas las demás prioridades de 240 V CA utilizando los terminales "CB/C1" a "RLY/D2".
22. Apriete de todas las conexiones de los cables y elementos de fijación al par adecuado. Consulte los valores de par correctos en el interior de la caja del sistema de gestión de energía eléctrica.

### Configuración del Sistema

Lleve a cabo los siguientes pasos antes de poner en funcionamiento el sistema:

- Sitúe el interruptor "SW2" del módulo de control en la posición NG o LP, según corresponda al sistema doméstico de reserva instalado.



- Sitúe el interruptor "SW3" del módulo de control en la posición que corresponda a la capacidad del sistema doméstico de reserva.
- En el panel de interruptores principales ponga los interruptores de las cargas seleccionadas en la posición **ON**.

**IMPORTANTE:** Después de terminar la instalación de la sistema de gestión de energía eléctrica impreso, conecte la alimentación de la red al generador de reserva doméstico y al conectador. Espere un minuto antes de poner el generador en la posición **AUTO**.



## Prueba del sistema de gestión de energía eléctrica

Con el generador en posición "Auto", gire el seccionador de servicio que alimenta el contactor del conector a la posición "Off". El generador se pondrá en marcha y el conector hará la transferencia a alimentación desde el generador.

Pulse el botón de prueba de la tarjeta de control del sistema de gestión de energía eléctrica. Al pulsar el botón, se excitará un relé. Cada vez que se pulse el botón, se desexcitará el relé anteriormente excitado y se excitará el relé siguiente.

Pulse el botón de prueba una vez y se excitará el relé B2. Pulse de nuevo el botón de prueba y se desexcitará el relé B2 y se excitará el relé C1. Este proceso continuará hasta que se hayan probado todos los relés o si no se pulsar el botón de prueba durante un período de 30 segundos, la secuencia de pruebas se interrumpirá y el sistema volverá a control automático.

Para volver a utilizar la tensión de la red pública, gire el seccionador de servicio que alimenta el conector a la posición "On".

---

## Mandos

El sistema de gestión de energía no tiene ningún mando para el usuario.

---

## Sistema Funcionamiento

Cuando el sistema de reserva doméstico está alimentando tensión al conector, el sistema de gestión de energía eléctrica está supervisando constantemente la potencia suministrada por el generador a las cargas controladas. El sistema de gestión de energía eléctrica supervisa las líneas entrantes del generador y mantiene el sistema de reserva doméstico cargado al 85-86% de la carga nominal. Cuando los transformadores de corriente de cualquier línea

comienzan a detectar que la corriente alcanza el 85-86% de la carga nominal, el sistema de gestión de energía eléctrica comienza a desconectar cargas comenzando por las de prioridad más baja y continúa hasta llegar a la de prioridad más alta. Cuando la corriente desciende por debajo del 85-86% de la carga nominal, el sistema de gestión de energía eléctrica comienza a conectar cargas comenzando por la de prioridad más alta y sigue conectando cargas por orden de prioridad hasta que el generador alcanza el 85-86% de la carga nominal o hasta que todas las cargas con prioridad están de nuevo conectadas. El sistema de gestión de energía eléctrica funcionará de esta manera hasta que el conector vuelva a ponerse en la posición de alimentación desde la red.

El sistema de gestión de energía eléctrica espera 5 segundos antes de conectar o desconectar cada carga para permitir que se estabilice el sistema. Cuando se abre un relé, permanece abierto durante 5 minutos como mínimo o hasta que se puede añadir carga sin hacer que el generador sobrepase el 85-86% de la carga nominal. Si se detecta una demanda de carga grande, el sistema de gestión de energía eléctrica desconectará cargas a una velocidad mayor de 1,5 segundos para evitar que se sobrecargue el generador. Una vez que se haya estabilizado la demanda y que se puedan añadir cargas de nuevo, el sistema de gestión de energía eléctrica comenzará por la de prioridad más alta, esperará durante 5 segundos y luego conectará la carga con la siguiente prioridad. La unidad continuará haciendo esto hasta que se conecten todas las cargas o se alcance el 85-86% de la carga nominal.

Cuando el generador está alimentando cargas, los relés de los acondicionadores de aire están abiertos. Cuando uno o los dos relés detectan 24 V CA procedentes del termostato o termostatos, el controlador desconecta las cargas B1-D2 y entonces sólo permite que cierre uno de los relés de los acondicionadores de aire. A1 tiene prioridad con respecto a A2. A2 puede cerrar cuando la señal para A1 ha expirado. Cuando se solicita el funcionamiento de los acondicionadores de aire, se tienen que desconectar todas las cargas para poder conectar el acondicionador de aire. En caso de haber demanda para el acondicionador de aire 1 estando funcionando el acondicionador de aire 2, se abrirá el relé del acondicionador de aire 2, se abrirán todos los relés y entonces podrá cerrar el relé del acondicionador de aire 1. Cuando abren los relés de los acondicionadores de aire, permanecen bloqueados durante cinco minutos como mínimo o hasta que reciben una solicitud de puesta en marcha del acondicionador de aire.

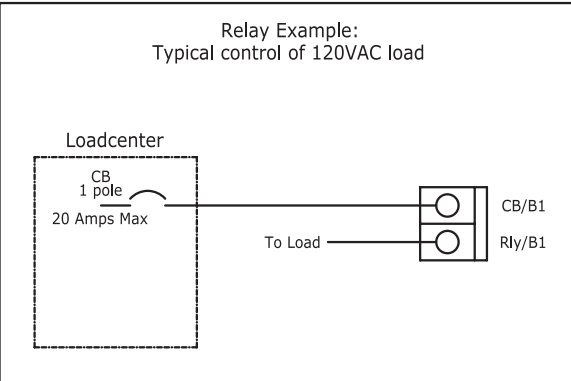
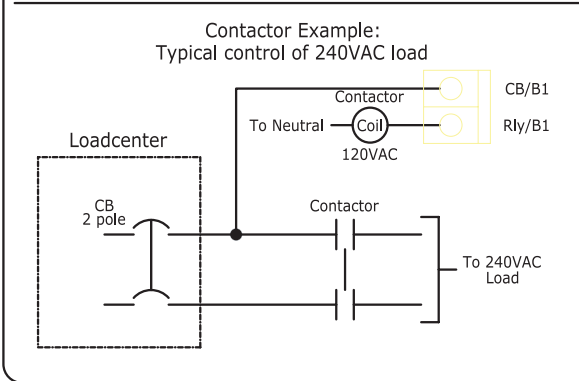
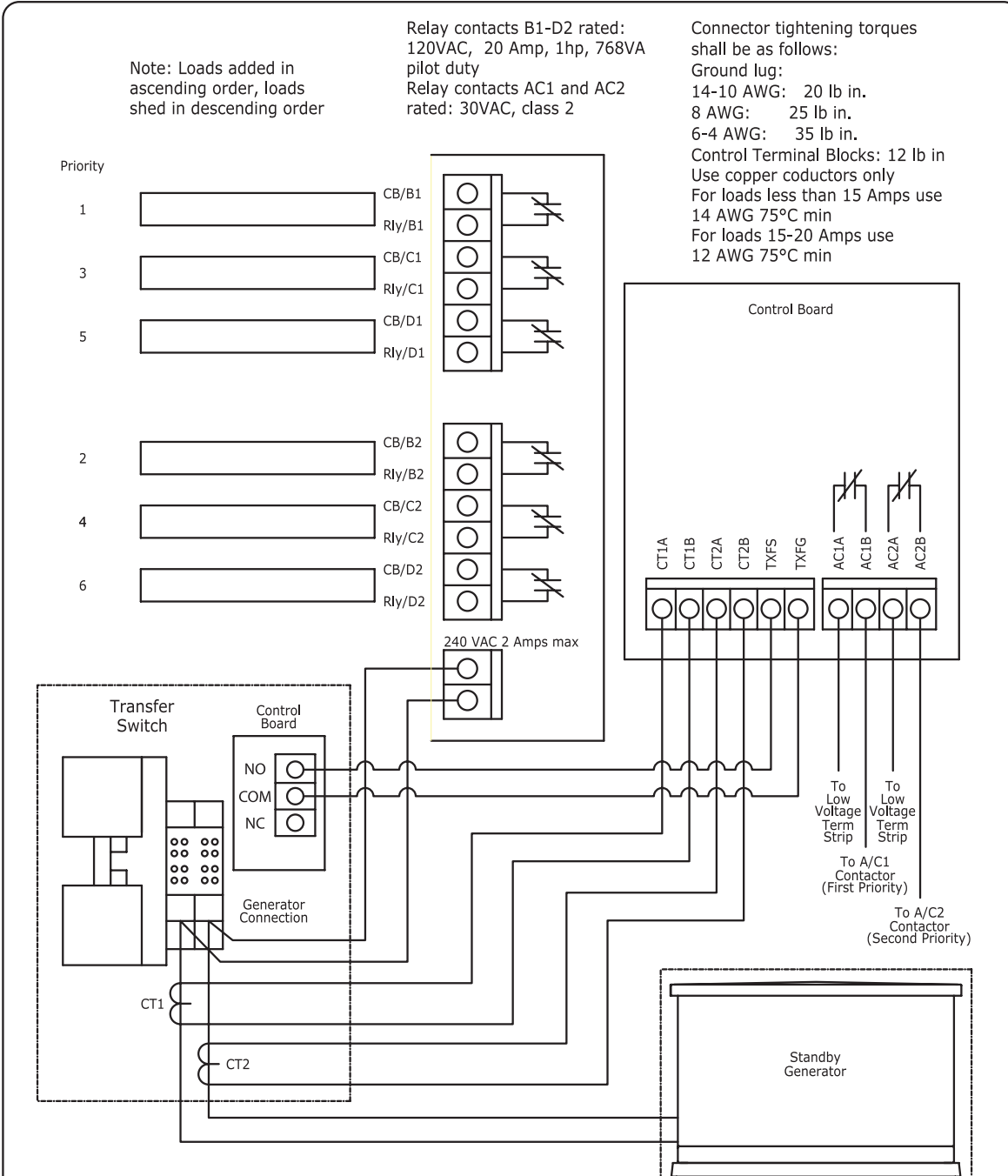
# Alambrar la calcomanía

Utilización

Note: Loads added in ascending order, loads shed in descending order

Relay contacts B1-D2 rated: 120VAC, 20 Amp, 1hp, 768VA pilot duty  
 Relay contacts AC1 and AC2 rated: 30VAC, class 2

Connector tightening torques shall be as follows:  
 Ground lug:  
 14-10 AWG: 20 lb in.  
 8 AWG: 25 lb in.  
 6-4 AWG: 35 lb in.  
 Control Terminal Blocks: 12 lb in  
 Use copper conductors only  
 For loads less than 15 Amps use 14 AWG 75°C min  
 For loads 15-20 Amps use 12 AWG 75°C min



## Hoja de trabajo de cargas eléctricas

Prioridad	Aparatos eléctricos de 120 V CA	Prioridad	Aparatos eléctricos de 240 V CA
	Acondicionador de aire de ventana 1		Acondicionador de aire central 1
	Acondicionador de aire de ventana 2		Acondicionador de aire central 2
	Acondicionador de aire de ventana 3		Horno eléctrico/estufa
	Refrigerador 1		Secador
	Refrigerador 2		Bomba de pozo
	Congelador 1		Bañera con calefacción
	Congelador 2		Calentador de piscina
	Microondas		Calentador de agua
	Cuarto de baño		Otros: _____
	Calentador auxiliar		Otros: _____
	Sistema de cine en casa		Otros: _____
	Calentador del garaje		
	Calentador de agua del fregadero		
	Bomba de aspiración de aguas residuales		
	Otros: _____		
	Otros: _____		
	Otros: _____		

**IMPORTANTE:** NO conecte hornos, bombas de aguas residuales ni sumideros al sistema de gestión de energía.

Utilización

## Mantenimiento

En condiciones normales de uso, el sistema de gestión de energía no requiere mantenimiento. No obstante, se recomienda examinar el conector y realizar comprobaciones de forma periódica. El mantenimiento consistirá principalmente en la limpieza del sistema de gestión de energía.

Lleve a cabo un examen visual al menos una vez al mes. La vía de acceso al sistema de gestión de energía debe permanecer libre de obstáculos. Mantenga un espacio libre de 92 cm (3 pies) alrededor del sistema de gestión de energía. Compruebe la presencia de polvo acumulado, humedad o corrosión sobre la caja o a su alrededor, piezas flojas, grietas o pérdida de color del aislamiento y componentes dañados o descoloridos.

Ponga en funcionamiento el sistema de gestión de energía al menos una vez cada tres meses siguiendo las instrucciones de la sección anterior, *Prueba del del sistema de gestión de energía eléctrica*, a menos que el sistema generador doméstico se haya activado automáticamente como resultado de un corte de suministro eléctrico. Deje funcionar el generador durante un mínimo de 30 minutos.

Póngase en contacto con un electricista cualificado para examinar y limpiar el interior del sistema de gestión de energía al menos una vez al año.

## Si Necesita Llamar a Fábrica

Antes de ponerse en contacto con Briggs and Stratton en relación con el servicio o reparación de este sistema de gestión de energía eléctrica, tome nota del número de modelo y número de serie que figuran en la calcomanía de datos de la unidad situada en el interior de la caja.

A contacto Briggs & Stratton, llame al **(800) 743-4115**, entre las 8:00 AM y las 5:00 PM hora del centro.

## Especificaciones

Tensión nominal c.a. . . . . .125/250 V

Frecuencia . . . . .50/60 Hz

Características nominales

de los contactos de los relés .125 V CA, 20 A, 1 CV, 768 VA,  
servicio piloto

Dimensiones

aproximadas: . . . . .40,6 cm Al. x 30,5 cm An. x 15,2 cm F

Peso . . . . .34 lbs.

# Reparacion de Averias

Problemo	Causa	Accion
<p>Las cargas supervisadas (acondicionador de aire, etc.) no funcionan cuando el generador suministra energía</p>	<ol style="list-style-type: none"> <li>1. Los contactos A-A o B-B no funcionan correctamente.</li> <li>2. La carga del generador es excesiva.</li> <li>3. El transformador de corriente no conectado.</li> <li>4. El transformador de corriente está averiado.</li> <li>5. Posición LED permanece lit constantemente.</li> </ol>	<ol style="list-style-type: none"> <li>1A. Compruebe si los contactos A-A y B-B funcionan correctamente</li> <li>B. Verifique el cableado de control de la carga externa.</li> <li>C. Compruebe si los haces de cables entre tarjetas están conectados correctamente.</li> <li>D. Compruebe que hay 24 V CA en uno de los terminales.</li> <li>E. Asegúrese de que ha transcurrido el bloqueo de 5 minutos.</li> <li>F. Asegúrese de que ha transcurrido el retardo de tiempo de puesta en marcha del acondicionador de aire.</li> <li>2. Reduzca la carga del generador.</li> <li>3. Conecte el transformador de corriente.</li> <li>4. Reemplace el transformador de corriente.</li> <li>5. Contacte el distribuidor de servicio autorizado.</li> </ol>

## POLÍTICA DE GARANTÍA PARA EL PROPIETARIO DEL CONECTADOR DE BRIGGS & STRATTON POWER PRODUCTS GROUP, LLC

Fecha de entrada en vigor: 1 de Noviembre de 2005. Sustituye a todas las garantías sin fecha y a las de fecha anterior al 1 de Noviembre de 2005

### GARANTÍA LIMITADA

Briggs & Stratton Power Products Group, LLC reparará o sustituirá sin cargo alguno cualquier componente del equipo que presente defectos de materiales y/o mano de obra. Los gastos de transporte de las producto enviadas para reparar o sustituir conforme a los términos de esta garantía correrán a cargo del comprador. El periodo de vigencia y las condiciones de esta garantía son los que se estipulan a continuación. Para obtener servicio en garantía, localice el distribuidor de servicio autorizado más próximo en nuestro mapa de distribuidores, en [www.BRIGGSandSTRATTON.COM](http://www.BRIGGSandSTRATTON.COM).

NO EXISTE NINGUNA OTRA GARANTÍA EXPLÍCITA. LAS GARANTÍAS IMPLÍCITAS, INCLUIDAS LAS DE COMERCIABILIDAD O IDONEIDAD PARA UN FIN CONCRETO, SE LIMITAN A UN AÑO DESDE LA FECHA DE COMPRA O AL LÍMITE DE TIEMPO PERMITIDO POR LA LEY. QUEDAN EXCLUIDAS TODAS LAS GARANTÍAS IMPLÍCITAS QUEDA EXCLUIDA LA RESPONSABILIDAD POR DAÑOS SECUNDARIOS Y DERIVADOS HASTA EL LÍMITE PERMITIDO POR LA LEY. Algunos países o estados no permiten limitar la duración de una garantía implícita ni excluir o limitar los daños secundarios y derivados. Por tanto, es posible que las limitaciones y exclusiones mencionadas no sean aplicables en su caso. Esta garantía le otorga determinados derechos legales y es posible que tenga otros derechos que pueden variar de un país o estado a otro.

### PERÍODO DE GARANTÍA

Uso del consumidor	3 Años
Uso comercial	ninguno

El período de garantía comienza en la fecha de compra del primer consumidor o usuario comercial final y se prolonga durante el tiempo especificado en la siguiente tabla. "Uso del consumidor" significa uso doméstico personal por parte de un consumidor final. "Uso comercial" significa cualquier otro uso, incluidos los usos con fines comerciales, de generación de ingresos o alquiler. Una vez que el equipo se haya usado con fines comerciales, se considerará como equipo de uso comercial a efectos de esta garantía. Los equipos utilizados para suministrar energía en sustitución de un servicio público no pueden acogerse a esta garantía.

NO ES NECESARIO REGISTRAR LA GARANTÍA PARA OBTENER SERVICIO DE BRIGGS & STRATTON PRODUCTS. GUARDE SU RECIBO DE COMPRA. SI NO APORTA LA PRUEBA DE LA FECHA DE COMPRA INICIAL, SE UTILIZARÁ LA FECHA DE FABRICACIÓN DEL PRODUCTO PARA DETERMINAR EL PERÍODO DE GARANTÍA.

### ACERCA DE LA EQUIPO GARANTÍA

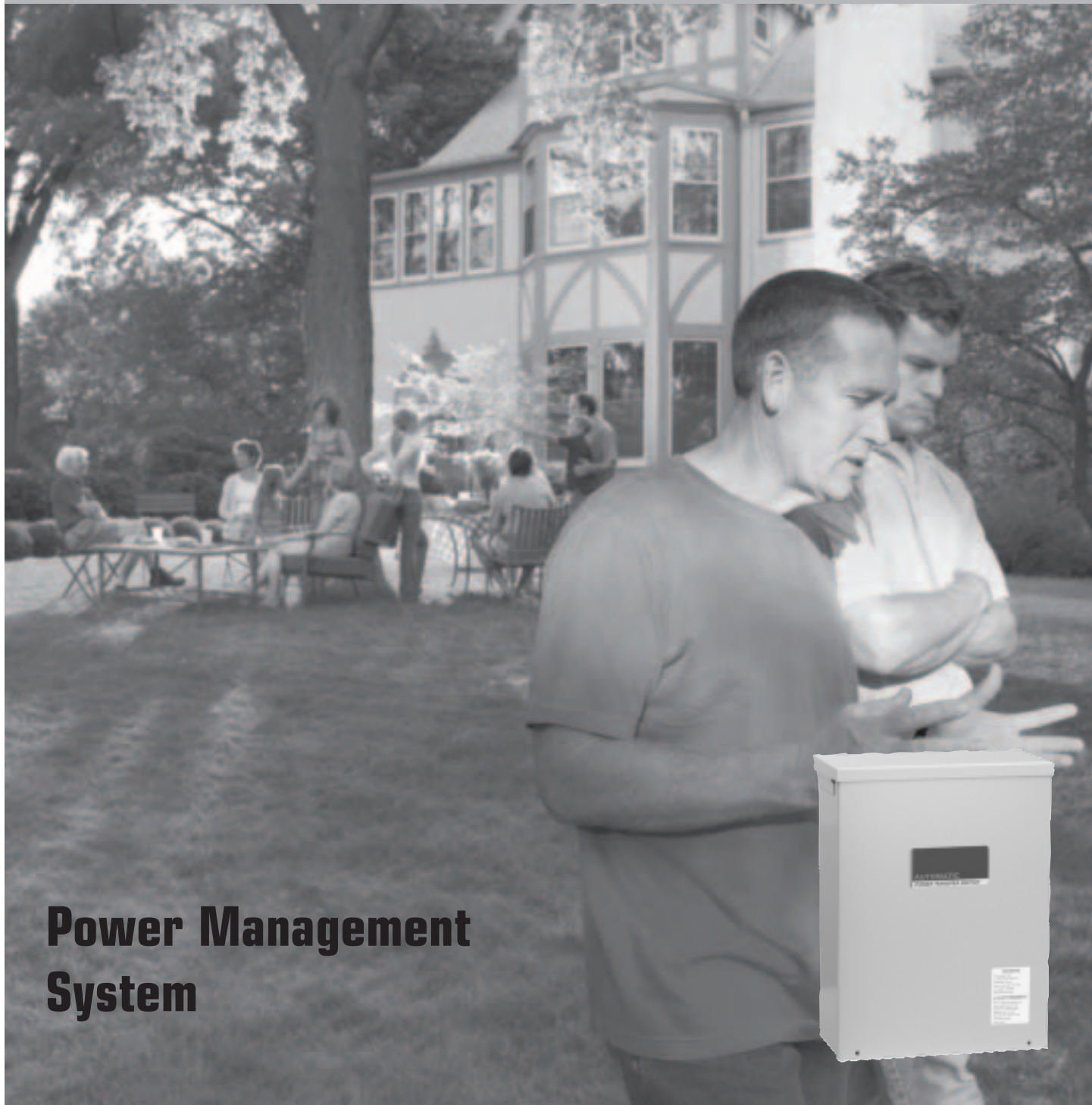
Esperamos que disfrute de nuestra garantía y le pedimos disculpas por las molestias causadas. Cualquier distribuidor de servicio autorizado puede llevar a cabo reparaciones en garantía. La mayoría de las reparaciones en garantía se gestionan normalmente, pero algunas veces la solicitud de servicio en garantía puede no ser procedente. Por ejemplo, la garantía no será válida si el equipo presenta daños debidos al mal uso, la falta de mantenimiento, el transporte, la manipulación, el almacenamiento o la instalación inadecuados. De manera similar, la garantía quedará anulada si se ha borrado la fecha de fabricación o el número de serie del equipo, o si el equipo ha sido alterado o modificado. Durante el período de garantía, el distribuidor de servicio autorizado podrá reparar o sustituir, a su libre elección, cualquier pieza que, previa inspección, sea defectuosa en condiciones normales de uso y servicio. Esta garantía no cubre las reparaciones y equipos que se detallan a continuación:

- **Desgaste normal:** Al igual que cualquier otro aparato mecánico, los equipos de uso en exteriores necesitan piezas y mantenimiento periódicos para funcionar correctamente. Esta garantía no cubre las reparaciones cuando el uso normal haya agotado la vida útil de una pieza concreta del equipo.
- **Instalación y mantenimiento:** Esta garantía no cubre los equipos ni las piezas cuya instalación sea incorrecta o no haya sido autorizada, ni aquellos que hayan sido objeto de cualquier tipo de alteración, mal uso, negligencia, accidente, sobrecarga o mantenimiento, reparación o almacenamiento inadecuados que, a nuestro juicio, haya afectado negativamente a su funcionamiento y su fiabilidad. La garantía tampoco cubre el mantenimiento normal, como los ajustes y la limpieza y cambio de los fusibles.
- **Otras exclusiones:** También quedan excluidos de esta garantía el desgaste de los artículos tales y los daños derivados de accidentes, uso indebido, modificaciones, alteraciones, servicio inadecuado. Los accesorios quedan excluidos de la garantía del producto. Esta garantía excluye los fallos debidos a hechos fortuitos y a otros acontecimientos de fuerza mayor que escapan al control del fabricante. También se excluyen los equipos usados o reacondicionados y los destinados a demostraciones. 198180S, Rev. C, 12/31/2006



# Home Generator Systems

## Guide d'Installation et d'Utilisation



### Power Management System

**Nous vous** remercions d'avoir acheté ce système de gestion de l'alimentation de Briggs & Stratton Power Products. Ce produit est conçu pour être utilisé avec les génératrices de secours résidentielles Briggs & Stratton et peut de ce fait, ne pas fonctionner avec des génératrices fabriquées par d'autres sociétés. Ayez recours à un professionnel en électricité qualifié pour déterminer l'applicabilité de cet équipement aux génératrices autres que celles fabriquées par Briggs & Stratton. Cet appareil est une génératrice résidentielle auxiliaire fournissant une source d'électricité de rechange et pouvant alimenter une fournaise au gaz, les systèmes de réfrigération et les systèmes de communication qui, lorsqu'ils sont arrêtés durant une panne d'électricité, peuvent causer de l'inconfort ou d'autres désagréments. Ce produit ne se qualifie pas comme génératrice d'urgence, tel qu'il est défini par la NFPA 70 (NEC).

**Ce manuel contient** des renseignements portant sur la sécurité pour vous informer des dangers et des risques associés aux systèmes de gestion de l'alimentation et de la façon de les éviter. La société Briggs & Stratton a tout fait pour fournir un produit dont l'installation soit sécuritaire, facile et économique. Comme chaque installation est unique, il est impossible de connaître et de recommander une marche à suivre présentant toutes les méthodes et consignes d'installation possibles. Briggs et Stratton ignore également les dangers et/ou les résultats potentiels de chaque méthode ou procédure. **Conservez ces instructions pour référence future.**

**Ce système de gestion de l'alimentation nécessite une installation avant l'utilisation.** Consultez la section *Installation* de ce manuel pour les directives sur les procédures d'installation. **Seuls des entrepreneurs en électricité qualifiés devraient installer des systèmes de gestion de l'alimentation. Toute installation doit être conforme à tous les codes, normes et réglementations applicables (fédéraux, provinciaux et locaux).**

## Où nous trouver

Vous n'avez jamais à chercher bien loin pour trouver un centre de support et de service Briggs & Stratton pour votre système de gestion de l'alimentation. Consultez les Pages Jaunes. Il y a plus de 30 000 distributeurs de service après-vente agréés Briggs & Stratton dans le monde qui offrent un service de qualité. Vous pouvez aussi téléphoner au Service à la clientèle de Briggs & Stratton au **(800) 743-4115** ou communiquer avec eux par Internet, à l'adresse BRIGGSandSTRATTON.COM.

## Système de Gestion de L'alimentation

Numéro de modèle

--	--	--	--	--	--	--	--

Révision

--	--

Numéro de série

--	--	--	--	--	--	--	--	--	--

## Date d'achat

--	--	--	--	--	--

Briggs & Stratton Power Products Group, LLC  
900 North Parkway  
Jefferson, WI 53549

Copyright © 2007 Briggs & Stratton Power Products Group, LLC.  
Tous droits réservés. Aucune partie de ce manuel ne peut être reproduite ou transmise sous n'importe quelle forme et par quelque moyen que ce soit sans l'autorisation expresse écrite de Briggs & Stratton Power Products Group, LLC.



# Table des Matieres

<b>Directives de sécurité importantes</b> .....	<b>4</b>
Conseils au Propriétaire .....	5
Responsabilités de l'Installateur .....	5
Description de l'Équipement .....	5
<b>Installation</b> .....	<b>6</b>
Déballage .....	6
Consignes d'installation .....	6
Interconnexions du câblage d'alimentation .....	7
Configuration du système .....	8
Mise à l'essai du système de gestion de l'alimentation .....	9
<b>Commandes</b> .....	<b>9</b>
<b>Fonctionnement</b> .....	<b>9</b>
Décalcomanie d'installation électrique .....	10
Fiche technique de charge électrique .....	11
<b>Entretien</b> .....	<b>12</b>
Caractéristiques .....	12
<b>Dépannage</b> .....	<b>13</b>
<b>Garantie</b> .....	<b>14</b>

Sécurité

Instalación

Commandes

Fonctionnement

Entretien


Dépannage

Garantie

## Veillez conserver ces instructions

### Directives de sécurité importantes

 Ceci est la sûreté le symbole vif. Il est utilisé pour vous alerter aux dangers de blessure personnels potentiels. Obéir tous messages de sûreté qui suivent ce symbole éviter la blessure ou la mort possibles.

Le symbole () indiquant un message de sécurité est accompagné d'un mot indicateur (DANGER, ATTENTION, AVERTISSEMENT), d'un message illustré et/ou d'un message de sécurité visant à vous avertir des dangers.

**DANGER** indique un danger qui, s'il n'est pas évité, *provoquera* des blessures graves, voire fatales.

**AVERTISSEMENT** indique un danger qui, s'il n'est pas évité, *peut* provoquer des blessures graves, voire fatales.

**ATTENTION** indique un danger qui, s'il n'est pas évité, *peut* provoquer des blessures mineures ou légères. Le mot **AVIS** indique une situation pouvant endommager l'équipement. Suivez les messages de sécurité pour éviter ou réduire les risques de blessures ou de mort.

Le fabricant ne peut anticiper toutes les circonstances potentielles pouvant comporter un danger. Par conséquent, les avertissements contenus dans le présent manuel, ainsi que les plaques et les décalques apposés sur l'unité n'englobent pas toutes les possibilités. Si vous utilisez une procédure, une méthode de travail ou une technique d'opération non spécifiquement recommandée par le fabricant, vous devez vous assurer qu'elle ne compromet pas votre sécurité ni celle des autres. Vous devez également vous assurer que la procédure, la méthode de travail ou la technique d'opération que vous choisissez ne rende pas la système de gestion de l'alimentation dangereuse.

#### AVERTISSEMENT

**Seuls les électriciens et les techniciens en combustibles gazeux qualifiés peuvent procéder à l'installation de ce système, laquelle doit se conformer strictement aux codes, aux normes et aux réglementations applicables.**

#### AVERTISSEMENT



Les fils de basse tension ne peuvent être installés dans le même conduit que les fils d'alimentation.

- Le non-respect de cet avertissement pourrait entraîner des blessures personnelles et l'endommagement ou le mauvais fonctionnement de l'équipement.

#### AVERTISSEMENT



Ne pas relier le système de gestion de l'alimentation à la terre risque de provoquer des électrocutions.

- Ne touchez pas les fils dénudés ou les boîtiers.
- N'utilisez pas le système de gestion de l'alimentation avec des cordons électriques usés, effilochés ou dénudés, ou abîmés de quelque sorte que ce soit.
- Ne manipulez pas les cordons d'alimentation lorsque vous êtes debout dans l'eau, pieds nus ou avec les mains ou les pieds humides.
- Si vous devez travailler autour d'une unité alors qu'elle est en marche, placez-vous sur une surface sèche isolée afin de réduire les risques de choc électrique.
- Ne laissez pas des personnes non qualifiées ou des enfants se servir ou réparer le système de gestion de l'alimentation.
- En cas d'accident causé par un choc électrique, procédez immédiatement à la mise hors tension de l'alimentation électrique et contacter des autorités locales. **Évitez tout contact direct avec la victime.**

#### AVERTISSEMENT



Le système de gestion de l'alimentation contient une haute tension qui peut causer des blessures personnelles ou la mort.

- En dépit de la conception sécuritaire du système de gestion de l'alimentation, le fait d'opérer l'équipement de façon imprudente, de ne pas l'entretenir ou d'être négligent peut causer des blessures et la mort.

#### AVIS

Un traitement inapproprié du système de gestion de l'alimentation risque de l'endommager et de raccourcir sa durée d'utilisation.

- Ne vous servez du système de gestion de l'alimentation que pour les utilisations prévues.
- Si vous avez des questions concernant les utilisations prévues, demandez à votre distributeur ou contactez Briggs and Stratton.
- N'exposez pas le système de gestion de l'alimentation à une humidité excessive, à de la poussière, à de la saleté ou à des vapeurs corrosives.
- Demeurez alerte en tout temps lorsque vous travaillez sur cet équipement. Ne travaillez jamais sur l'équipement si vous êtes fatigué physiquement ou mentalement.
- Si les appareils branchés surchauffent, éteignez-les et mettez leur disjoncteur ou fusible hors tension.

## Introduction

Votre système de gestion de l'alimentation Briggs & Stratton (B&S) est livré avec le présent "Guide d'installation et d'utilisation". Ce guide est un document important; conservez-le après avoir complété l'installation.

Tout a été fait pour s'assurer que les renseignements contenus dans le présent guide soient exacts et à jour. Toutefois, le fabricant se réserve le droit de changer, de modifier ou encore d'améliorer le système de gestion de l'alimentation, et ce, sans préavis.

### Au Propriétaire Résidentiel

Afin de vous aider à faire des choix avisés et à communiquer efficacement avec l'entrepreneur qui procédera à l'installation,

**Veillez lire avec soin la section *Conseils au Propriétaire* dans le présent guide avant de contracter un entrepreneur ou de commencer l'installation de votre système de gestion de l'alimentation.**

Pour assurer une installation adéquate, veuillez contacter le magasin qui vous a vendu votre système de gestion de l'alimentation, votre détaillant ou votre fournisseur de services d'électricité.

**Si l'installation du système de gestion de l'alimentation n'est pas effectuée par des professionnels certifiés en électricité, la garantie sera ANNULÉE.**

### Conseils au Propriétaire

Les illustrations se rapportent à des cas typiques et ont pour but de vous familiariser avec les différentes options d'installation du système de gestion de l'alimentation dont vous disposez.

Au moment de négocier avec un installateur professionnel, il faudra tenir compte des facteurs suivants : les codes de sécurité locaux, l'apparence, et les distances. Souvenez-vous que plus grandes sont les distances entre le groupe électrogène et le service électrique existant ainsi que l'alimentation, plus il faudra faire des compensations dans les matériaux et le câblage. Ces modifications sont nécessaires pour vous conformer aux codes de sécurité locaux et pour surmonter les chutes de tension.

**Les facteurs mentionnés ci-dessus auront une incidence directe sur le prix total de l'installation de votre système de gestion de l'alimentation.**

**REMARQUE:** Votre installateur est tenu de vérifier les codes locaux ET d'obtenir les permis requis avant de procéder à l'installation du système.

- Vous devez lire et suivre les instructions indiquées dans le manuel.
- Établissez un programme de soins et d'utilisation régulier de votre système de gestion de l'alimentation, tel qu'indiqué dans le manuel.

### Responsabilités de l'Installateur

- Vous devez lire et respecter les règles de sécurité décrites dans le manuel.
- Vous devez lire et suivre les instructions indiquées dans le présent le manuel.
- Vérifiez tous les codes fédéraux, provinciaux et locaux.
- Consultez le propriétaire afin de déterminer les charges devant être contrôlées ainsi que leur priorité.

**REMARQUE:** Vous trouverez à la page 11 une fiche technique qui vous aidera à déterminer les charges devant être transférées et leur priorité.

- L'installateur peut devoir fournir des systèmes différents selon les charges à contrôler.

### Description de l'Équipement

Le système de gestion de l'alimentation est conçu pour contrôler six charges prioritaires et jusqu'à deux charges de climatiseurs alimentés par la génératrice résidentielle auxiliaire. Ce système de gestion de l'alimentation entre en mode STANDBY (ATTENTE) et ne contrôle aucune charge en présence d'électricité de service.

Le système de gestion de l'alimentation est composé d'une carte de relais avec 6 relais pour contrôler des charges allant jusqu'à 120 V c.a., 20 ampères, 1 HP et une carte de contrôleur dotée de 2 relais pour les charges de climatiseurs. Les circuits imprimés sont logés dans un réceptacle NEMA 3R adapté autant aux installations intérieures qu'extérieures. Deux (2) transformateurs de courant contrôlent le courant de la génératrice dans le commutateur de transfert pour assurer que la charge de la génératrice n'excède pas 85 %. Lorsque la charge dépasse 85 pour cent, le système de gestion de l'alimentation déleste les charges de sorte à empêcher la surcharge de la génératrice. Le système de gestion de l'alimentation rétablira les charges lorsque le courant approprié sera à nouveau disponible.

La carte de contrôleur possède un DEL vert pour chaque relais afin d'indiquer si les relais fournissent de l'alimentation aux charges lorsque la génératrice est en fonction. Un DEL d'état clignote également lorsque le système de gestion de l'alimentation fonctionne adéquatement.

# Installation

## Déballage

### Vérification de la Livraison

Après avoir enlevé le carton, examinez avec soin les éléments du système de gestion de l'alimentation pour tout dommage subi durant l'expédition.

**IMPORTANT:** Au moment de la livraison, si vous remarquez des dommages ou des pièces manquantes, demandez au livreur de noter tous les dommages sur la facture de fret et d'apposer sa signature dans l'espace réservé à cet effet. Après la livraison, si vous remarquez des pièces manquantes ou des dommages, mettez les pièces endommagées de côté et communiquez avec le transporteur pour connaître les procédures de réclamation. Les pièces manquantes ou endommagées ne sont pas garanties.

### Contenu de la Boîte

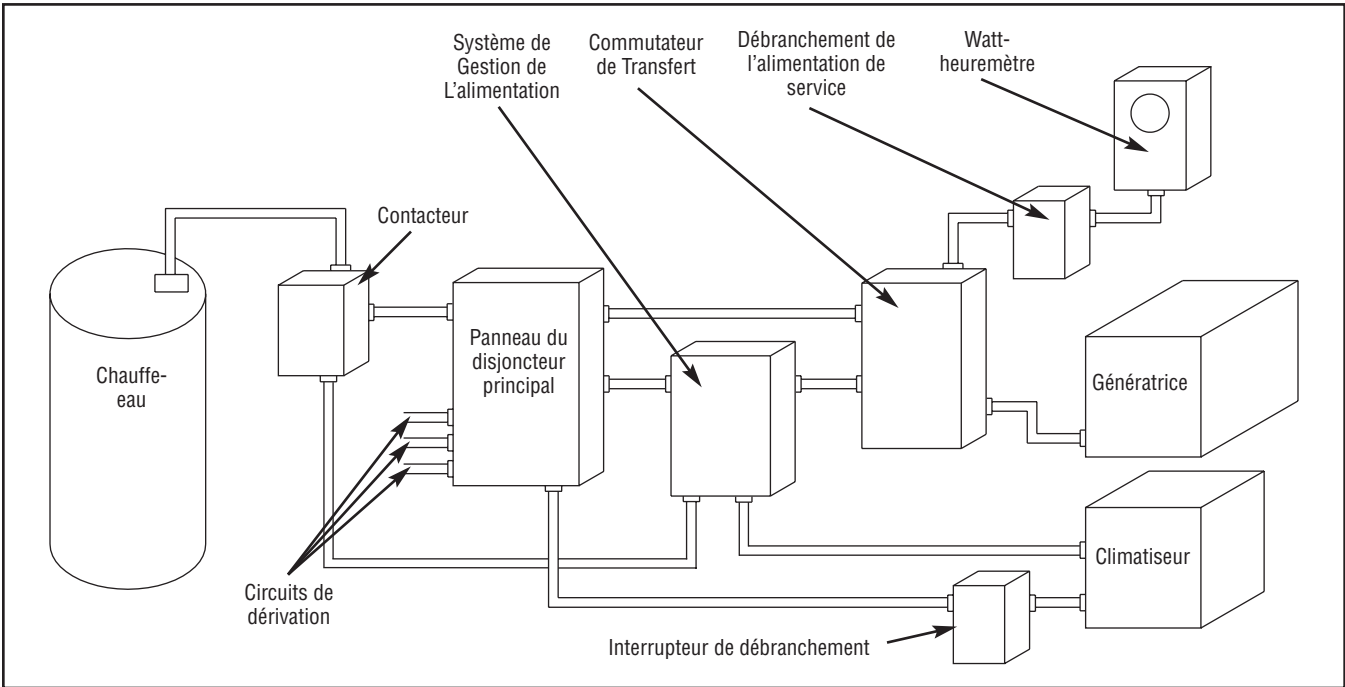
- Système de Gestion de l'Alimentation
- Manuel de d'Installation et l'Utilisation
- Connecteurs de Fil (4)
- Languettes de Contact 1/4 po Mâle Bipolaire et Femelle Unipolaire (2)

## Consignes d'installation

Le système de gestion de l'alimentation est contenu dans un boîtier de type NEMA 3R adapté pour usage interne et externe. Consignes d'installation du système de gestion de l'alimentation:

- Installation du système de gestion de l'alimentation sur une structure portante ferme et robuste.
- Le système de gestion de l'alimentation doit être installé avec les connexions de conduit de fo de matériel de NEMA 3R minimum.
- Au besoin, nivelez le système de gestion de l'alimentation pour éviter les distorsions. Ceci peut être accompli en insérant des rondelles entre le boîtier du système de gestion de l'alimentation et la surface de fixation.
- Ne jamais installer le système de gestion de l'alimentation dans un endroit une substance corrosive pourrait s'y infiltrer.
- Protégez le système de gestion de l'alimentation en tout temps contre l'humidité, les poussières, les saletés, les peluches, le gravier et les vapeurs corrosives.

Nous présentons ci-dessous une installation typique du système de gestion de l'alimentation. Il est préférable d'installer près du panneau du disjoncteur principal, soit à l'intérieur ou à l'extérieur. Discutez des suggestions/changements de disposition avec le propriétaire avant d'entamer le processus d'installation du système.



## Interconnexions du câblage d'alimentation

Tout le câblage doit être d'un gabarit approprié, bien fixé, et protégé par des conduits.

Complétez les raccordements suivants entre le commutateur de transfert, le système de gestion de l'alimentation et le panneau du coupe-circuit principal. Voir également le décalque de câblage à la page 10.

### **⚠ AVERTISSEMENT**



Les fils de basse tension ne peuvent être installés dans le même conduit que les fils d'alimentation.

- Le non-respect de cet avertissement pourrait entraîner des blessures personnelles et l'endommagement ou le mauvais fonctionnement de l'équipement.

- Réglez l'interrupteur de système de la génératrice sur **OFF**.
- Réglez le disjoncteur principal de la génératrice à **OFF** (ARRÊT) en position (open/ouverte).
- Identifiez les charges et leur priorité (en utilisant la feuille fournie) à transférer au système de gestion de l'alimentation dans le panneau du disjoncteur principal.
- Dans le panneau du disjoncteur principal, placez les disjoncteurs des charges choisies à OFF (ARRÊT).
- Connectez la languette de contact « GND » (MISE À LA TERRE) à une mise à la terre approuvée.

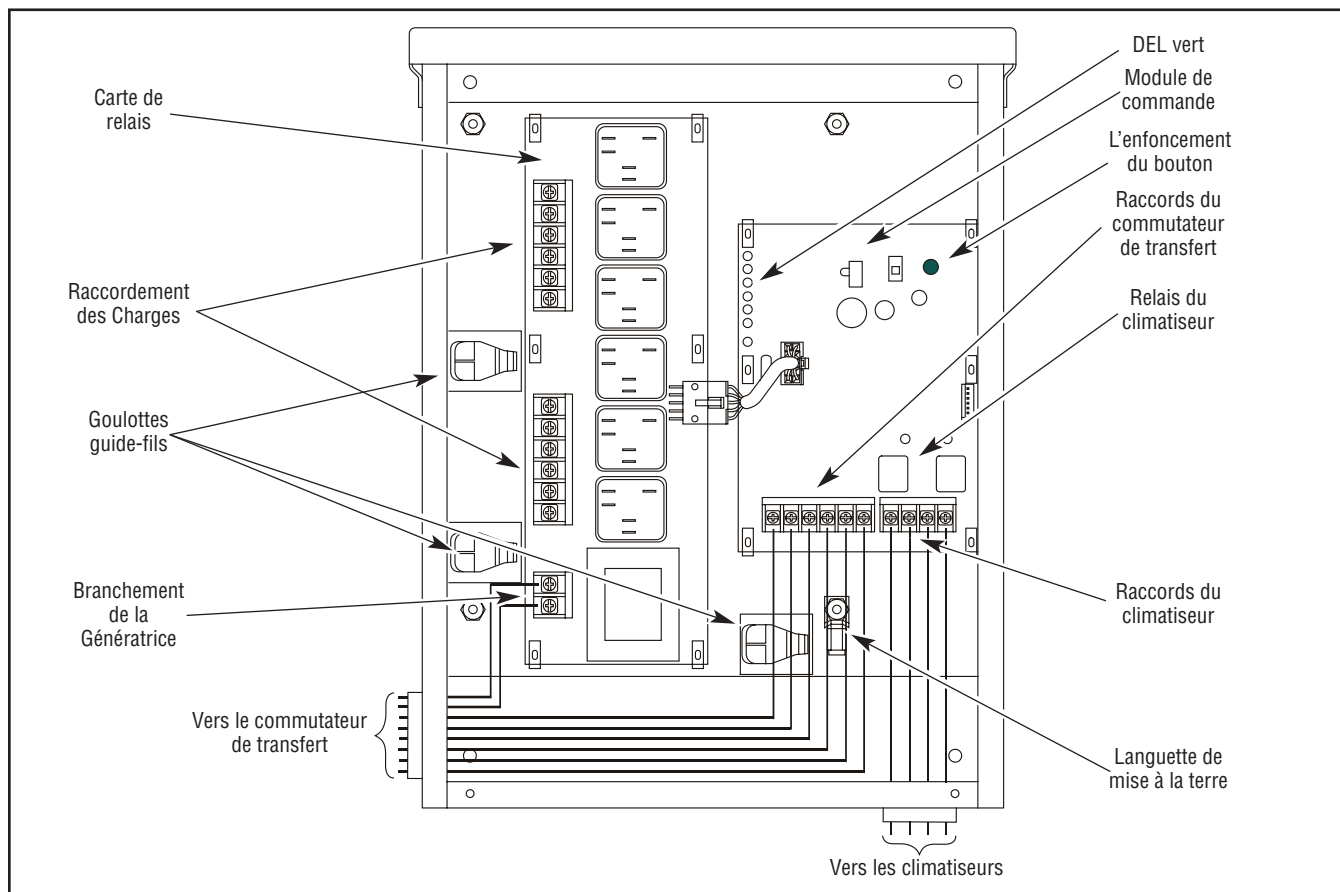
### **AVIS**

Une installation inadéquate peut causer des dommages aux panneaux de circuit et réduire leur durée de vie utile. La demande de courant d'appel ou la mise à la terre des terminaux, lors de la manipulation au cours de l'installation endommagera la carte de circuit et n'est pas couverte par la garantie.

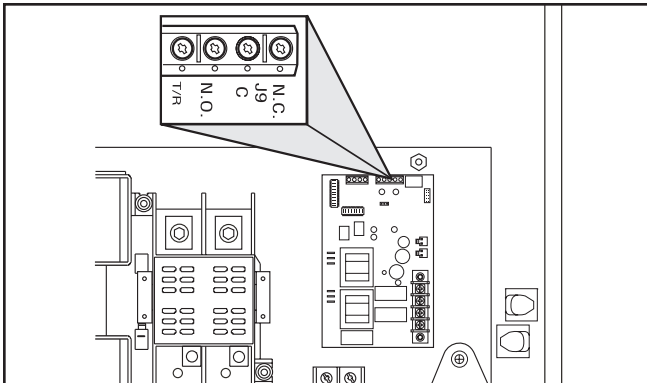
- Retirez toutes les sources d'alimentation avant d'installer ce système de gestion de l'alimentation. La négligence de cette consigne causera des dommages internes au panneau lors de l'établissement des raccordements électriques.
- Placez l'interrupteur de la génératrice à la position « OFF » (ARRÊT).
- Fermez l'alimentation de service à la génératrice résidentielle auxiliaire et au commutateur de transfert.

**REMARQUE:** Assurez-vous que l'électrode de terre est raccordée selon les normes, la réglementation et les codes fédéraux, provinciaux et locaux applicables.

- En utilisant le fil de 300 V c.a. fourni par l'installateur ou un fil de calibre supérieur et les languettes de contact 1/4 po mâle bipolaire, femelle unipolaire, connectez l'alimentation de 240 V c.a. de la génératrice du commutateur de transfert vers la carte de relais du système de gestion de l'alimentation.
- Débrancher des transformateurs du conseil de contrôleur dans le commutateur de transfert.



8. Coupez les bouts des connecteurs à broche des fils du transformateur et jetez-les. Dénudez les fils et placez-les dans les connecteurs de fils fournis.
9. En utilisant le fil de 300 V c.a. fourni par l'installateur ou un fil de calibre supérieur, passez les fils des connecteurs de fils vers le bloc de branchement de la carte de relais étiqueté « CT1A » vers « CT2B » dans le système de gestion de l'alimentation.
10. En utilisant le fil de 300 V c.a. fourni par l'installateur ou un fil de calibre supérieur, connectez les bornes C (commun) et NO (normalement ouvert) à la barrette de raccordement J9 du contrôleur du commutateur de transfert aux blocs de branchement du contrôleur étiquetés « TXSF » et TXFG » dans le système de gestion de l'alimentation.



11. Branchez le câblage de contrôle du thermostat du climatiseur à la carte de contrôleur étiquetée « AC1A-AC2B » du système de gestion de l'alimentation.

**REMARQUE:** AC1A et AC1B sont assignés à la priorité pour le climatiseur 1. AC2A et AC2B sont assignés à la priorité du climatiseur 2.

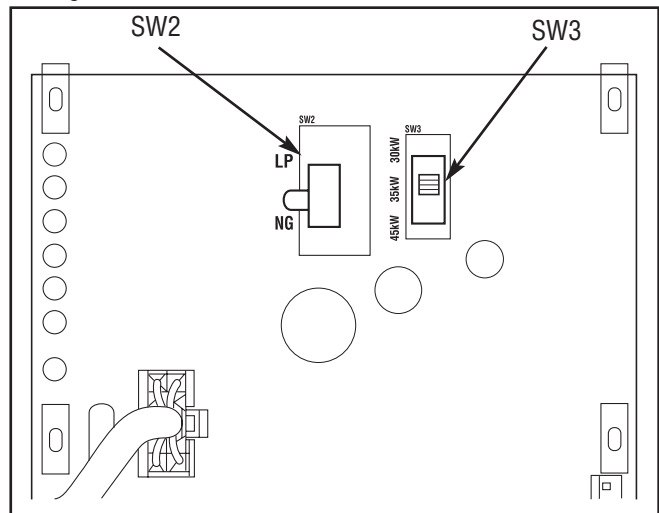
12. Pour les charges 120 V c.a. choisies, enlevez le fil du disjoncteur choisi.
13. En utilisant le fil de 300 V c.a. fourni par l'installateur ou un fil de calibre supérieur, connectez le disjoncteur choisi au bloc de branchement du système de gestion de l'alimentation étiqueté « CB/B1 » pour la charge de priorité 1.
14. En utilisant le fil de 300 V c.a. fourni par l'installateur ou un fil de calibre supérieur et un serre-fils, connectez le fil de charge choisi au bloc de branchement du système de gestion de l'alimentation étiqueté « RLY/B1 » pour la charge de priorité 1.
15. Répétez les étapes de 12 à 14 pour toutes les autres priorités 120 V c.a. en utilisant les terminaux « CB/C1 » vers « RLY/D2 ».
16. Pour les charges 240 V c.a. choisies, enlevez les deux fils du disjoncteur choisi et placez-les du côté charge du contacteur de l'installateur fourni.
17. En utilisant le fil de 300 V c.a. fourni par l'installateur ou un fil de calibre supérieur, connectez le disjoncteur au côté ligne du contacteur.

18. En utilisant le fil de 300 V c.a. fourni par l'installateur ou un fil de calibre supérieur, connectez le disjoncteur au bloc de branchement du système de gestion de l'alimentation étiqueté « CB/B1 » pour la charge de priorité 1.
19. En utilisant le fil de 300 V c.a. fourni par l'installateur ou un fil de calibre supérieur, connectez le neutre dans le panneau du disjoncteur principal à la bobine du contacteur.
20. En utilisant le fil de 300 V c.a. fourni par l'installateur ou un fil de calibre supérieur, connectez la bobine de contacteur au bloc de branchement du système de gestion de l'alimentation étiqueté « RLY/B1 » pour la charge de priorité 1.
21. Répétez les étapes de 16 à 20 pour toutes les autres priorités 240 V c.a., en utilisant les terminaux « CB/C1 » vers « RLY/D2 ».
22. Resserrez tous les raccords/attaches au couple approprié. Consultez la partie intérieure du boîtier du commutateur de transfert au sujet des couples de serrage appropriés.

### Configuration du système

Vous devez procéder aux étapes suivantes avant d'utiliser le système:

- Placez l'interrupteur étiqueté « SW2 » du contrôleur à la position NG ou LP, selon le réglage approprié pour la génératrice résidentielle auxiliaire installée.



- Placez l'interrupteur étiqueté « SW3 » du contrôleur à la position qui correspond aux valeurs nominales de la génératrice résidentielle auxiliaire.
- Dans le panneau de disjoncteur principal, placez les disjoncteurs des charges choisies à ON (MARCHE).

**IMPORTANT:** Une fois que l'installation de la système de gestion de l'alimentation est terminée, ouvrez l'alimentation à la génératrice résidentielle auxiliaire et au commutateur de transfert. Attendez une minute avant de positionner la génératrice à **AUTO**.

## Mise à l'essai du système de gestion de l'alimentation

Alors que la génératrice est en position « **Auto** », placez l'interrupteur de l'alimentation alimentant le contacteur du commutateur de transfert à la position « **Off** » (Arrêt). La génératrice s'amorcera et le commutateur de transfert passera à l'alimentation par la génératrice.

Appuyez sur le bouton de mise à l'essai sur le tableau de commande du système de gestion de l'alimentation.

Dès l'enfoncement du bouton, un relais s'amorcera. Chaque fois que le bouton est enfoncé, le relais précédent qui avait été activé sera désactivé et le relais suivant sera activé.

Appuyez une fois sur le bouton de mise à l'essai et le relais B2 sera activé. Appuyez à nouveau sur le bouton et B2 sera désactivé alors que C1 s'activera. La procédure se poursuivra jusqu'à ce que tous les relais aient été vérifiés ou jusqu'à ce que le bouton n'ait pas été enfoncé pour une période de 30 secondes, la séquence de mise à l'essai s'arrêtera et le système retournera au contrôle automatique.

Pour revenir à l'alimentation de service, placez l'interrupteur de l'alimentation alimentant le contacteur du commutateur de transfert à la position « **On** » (MARCHE).

---

## Commandes

Il n'y a pas de commande de l'opérateur dans ce système de gestion de l'alimentation.

---

## Fonctionnement

Lorsque la génératrice résidentielle auxiliaire transmet de la puissance au commutateur de transfert, la génératrice résidentielle auxiliaire surveille continuellement l'alimentation de la génératrice vers le contrôleur de charge. Le système de gestion de l'alimentation surveille les deux lignes d'entrée de la génératrice et conserve la génératrice résidentielle

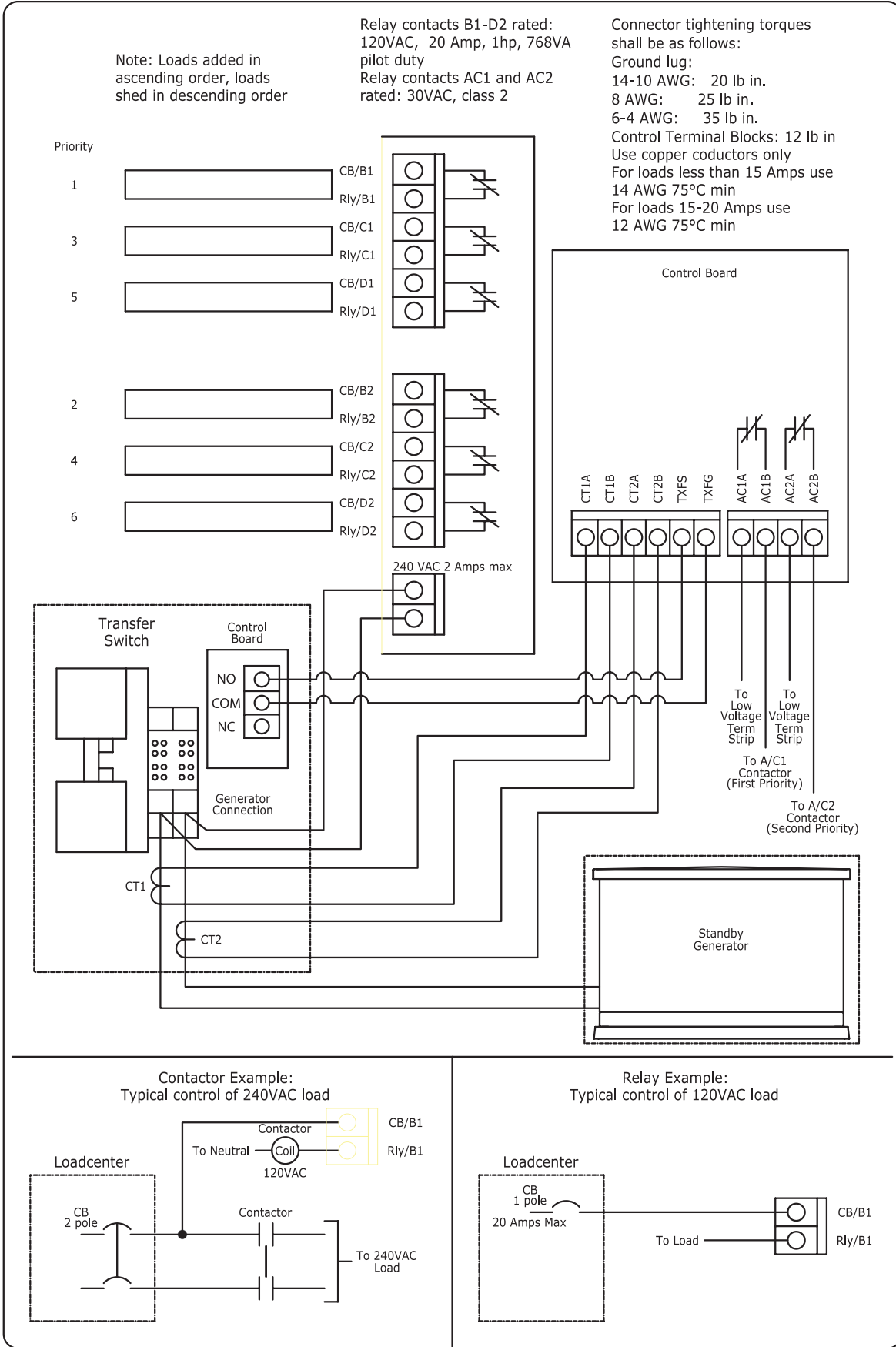
auxiliaire chargée à 85 – 86 % de la charge nominale. Lorsque les transformateurs de courant d'une ligne détectent que le courant atteint 85 – 86 % de la charge nominale, le système de gestion de l'alimentation commencera à délester des charges en se basant sur les priorités les plus faibles en allant jusqu'aux priorités élevées. Lorsque le courant chute en dessous de 85 – 86 % de la charge nominale, le système de gestion de l'alimentation commencera à ajouter des charges en se basant d'abord sur les priorités les plus élevées, suivies des priorités secondaires les plus élevées jusqu'à ce que la génératrice atteigne 85 – 86 % de sa charge ou jusqu'à ce que toutes les priorités soient de nouveau en ligne. Le système de gestion de l'alimentation opérera de cette façon jusqu'à ce que le commutateur de transfert ne soit revenu à la position d'alimentation par le service.

Le système de gestion de l'alimentation attend 5 secondes entre l'ajout et le délestage de chacune des charges pour permettre la stabilisation du système. Lorsqu'un relais est ouvert, le relais demeurera ouvert pour un minimum de 5 minutes ou jusqu'à ce que la charge puisse être ajoutée sans que la génératrice n'excède 85 – 86 % de la charge nominale. Si une demande importante de charge est observée, le système de gestion de l'alimentation commence à délester les charges à une valeur aussi rapide que moins de 1,5 seconde, de sorte à empêcher la surcharge de la génératrice. Une fois que la demande s'est stabilisée et que des charges peuvent être de nouveau ajoutées, le système de gestion de l'alimentation commencera avec la priorité la plus élevée, attendra 5 secondes et ajoutera la priorité suivante. L'appareil continuera ainsi jusqu'à ce que toutes les charges soient ajoutées ou que 85 – 86 % de la charge nominale soit atteint.

Lorsque la génératrice alimente des charges, les relais c.a. sont ouverts. Lorsque l'un ou l'autre des relais détecte 24 V c.a. des thermostats, le contrôleur délester les charges B1-D2, et ne permettra qu'à un seul relais c.a. de se fermer. A1 a la priorité sur A2. A2 peut fermer lorsque le signal pour A1 est expiré. Lors d'une demande de fonctionnement en c.a., toutes les charges sont délestées avant que l'appareil c.a. puisse être ajouté. Si une demande c.a. 1 est en cours alors que c.a. 2 est en mode de fonctionnement, tous les relais s'ouvriraient, puis c.a. 1 pourra se fermer. Lorsque les relais c.a. sont ouverts, ils sont verrouillés pour un minimum de 5 minutes ou jusqu'à ce qu'ils reçoivent le signal de démarrer le c.a.

# Décalcomanie d'installation électrique

Fonctionnement





## Fiche technique de charge électrique

Priorité	Appareils électriques 120 V c.a.	Priorité	Appareils électriques 240 V c.a.
	Climatiseur de fenêtre 1		Climatiseur central 1
	Climatiseur de fenêtre 2		Climatiseur central 2
	Climatiseur de fenêtre 3		Cuisinière électrique
	Réfrigérateur 1		Sécheuse
	Réfrigérateur 2		Pompe de puits
	Congélateur 1		Spa
	Congélateur 2		Chauffage de piscine
	Four micro-onde		Chauffe-eau
	Salle de bain		Autre: _____
	Chauffage auxiliaire		Autre: _____
	Système de cinéma maison		Autre: _____
	Chauffage du garage		
	Chauffe-eau de l'évier		
	Pompe de puisard		
	Autre: _____		
	Autre: _____		
	Autre: _____		

**IMPORTANT:** NE connectez PAS d'appareil de chauffage central et de pompe de puisard régulière et d'eaux usées au système de gestion de l'alimentation.

Fonctionnement

## Entretien

Le système de gestion de l'alimentation est conçu pour ne nécessiter aucun entretien dans le cadre d'une utilisation normale. Toutefois, il faut effectuer des inspections et des vérifications d'entretien régulièrement. L'entretien consiste principalement à garder le système de gestion de l'alimentation propre.

Une inspection visuelle doit être effectuée au moins une fois par mois. L'accès au système de gestion de l'alimentation ne doit pas être obstrué. Laissez un dégagement d'au moins 92 cm (3 pi) autour du système de gestion de l'alimentation. Vérifiez les accumulations de saleté, de moisissure ou de corrosion sur le boîtier et autour de celui-ci, les pièces ou la quincaillerie lâches, les fissures et/ou la décoloration sur l'isolant ainsi que les éléments endommagés ou décolorés.

Faites fonctionner le système de gestion de l'alimentation au moins une fois tous les trois mois tel qu'il est expliqué dans la section précédente *Mise à l'essai du système de gestion de l'alimentation*, à moins qu'une panne de courant ne survienne et que la génératrice résidentielle n'ait effectué une séquence automatiquement. Laissez la génératrice fonctionner pendant au moins 30 minutes.

Communiquez avec un professionnel en électricité certifié pour inspecter et nettoyer l'intérieur du système de gestion de l'alimentation au moins une fois par année.

## Si vous Devez Communiquer avec l'Usine

Avant de contacter Briggs & Stratton au sujet de l'entretien ou de la réparation de ce système de gestion de l'alimentation, veuillez noter les numéros de modèle et de série indiqués sur le décalque apposé sur l'appareil ou à l'intérieur de celui-ci.

Pour contacter Briggs & Stratton, veuillez appeler au (800) 743-4115 de 8 h à 17 h HNC.

## Caractéristiques

Tension nominale C.A. ....	125/250 Volts
Fréquence .....	.50/60 Hz
Valeur nominale des contacts de relais .....	125 V c.a., 20 A, 1 HP, 768 A, régime de fonctionnement asservi
Dimensions .....	Environ 41 cm H x 30 cm L x 15 cm l (16 po H x 12 po L x 6 l)
Poids .....	15,4 kg (34 lb)

# Dépannage

PROBLÈMES	CAUSE	SOLUTION
<b>Les charges réglables (climatiseur, etc.) ne fonctionnent pas lorsque la génératrice alimente des appareils</b>	1. Les contacts « AC1A » - « AC2B » ne fonctionnent pas correctement.	1A. Vérifiez le fonctionnement des contacts « AC1A » - « AC2B ». B. Le câblage de commande vers des charges externes. C. Vérifiez que les faisceaux entre les cartes sont adéquatement connectés. D. Vérifiez la présence de 24 V c.a. à l'un des terminaux. E. Assurez-vous que le délai de 5 minutes de verrouillage est expiré. F. Assurez-vous que le délai de transfert du climatiseur est expiré.
	2. Charge trop élevée pour la génératrice.	2. Réduisez la charge de la génératrice.
	3. Transformateur de courant pas connecté.	3. Connectez le transformateur de courant.
	4. Transformateur de courant défectueux.	4. Remplacez le transformateur de courant.
	5. Statut DEL reste lit constamment.	5. Contacter négociant de service Autorisé.

## GARANTIE DU PROPRIÉTAIRE DU COMMUTATEUR DE TRANSFERT BRIGGS & STRATTON POWER PRODUCTS GROUP, LLC

Prise d'effet au 1<sup>er</sup> Novembre 2005, annule et remplace toutes les garanties précédentes et les garanties antérieures au 1<sup>er</sup> Novembre 2005

### GARANTIE LIMITÉE

Briggs & Stratton Power Products Group, LLC réparera ou remplacera, sans frais, toutes pièces d'équipement défectueuses comportant un vice de matériau ou un défaut de fabrication ou les deux. En vertu de la présente garantie, les frais de transport des produits soumis pour réparation ou remplacement sont à la charge de l'acheteur. La présente garantie sera en vigueur durant les périodes stipulées ci-dessous et est assujettie aux conditions stipulées ci-dessous. Pour obtenir des services en vertu de la garantie, veuillez consulter notre Outil de recherche d'un Service après-vente agréé au <http://www.BRIGGSandSTRATTON.COM> afin de trouver un distributeur de service après-vente agréé dans votre région.

IL N'EXISTE AUCUNE AUTRE GARANTIE EXPRESSE. LES GARANTIES IMPLICITES, INCLUANT CELLES DE QUALITÉ MARCHANDE ET D'ADAPTATION À UN USAGE PARTICULIER, SONT LIMITÉES À UNE PÉRIODE D'UN AN À PARTIR DE LA DATE D'ACHAT OU JUSQU'À LA LIMITE PERMISE PAR LA LOI, TOUTE GARANTIE IMPLICITE EST EXCLUE. LA RESPONSABILITÉ POUR DOMMAGES ACCESSOIRES OU INDIRECTS EST EXCLUE DANS LA MESURE OÙ UNE TELLE EXCLUSION EST PERMISE PAR LA LOI. Certains États/provinces ou pays n'autorisent aucune restriction sur la durée d'une garantie implicite, et certains États/provinces ou pays n'autorisent pas l'exclusion ou la limitation des dommages consécutifs ou indirects. Par conséquent, les restrictions et exclusions décrites ci-dessus pourraient ne pas s'appliquer dans votre cas. La présente garantie vous accorde certains droits légaux spécifiques et vous pourriez également en avoir d'autres, qui peuvent varier d'un État ou d'une province à l'autre et d'un pays à l'autre.

### PÉRIODE DE GARANTIE

Usage par un consommateur	3 ans
Usage à des fins commerciales	aucune

La période de garantie débute à la date d'achat par le premier acheteur au détail ou par le premier utilisateur commercial final, et se prolonge pour la durée stipulée dans le tableau ci-dessus. "Usage par un consommateur" signifie utilisation domestique personnelle dans une résidence, par l'acheteur au détail. "Usage à des fins commerciales" signifie toute autre utilisation, y compris à des fins commerciales, générant de revenus ou de location. Aux fins de la présente garantie, dès qu'un équipement a été utilisé commercialement une fois, il est par la suite considéré comme étant d'usage à des fins commerciales. L'équipement utilisé pour l'alimentation principale n'est pas couvert par la présente garantie.

POUR EXERCER LA GARANTIE SUR TOUT PRODUIT FABRIQUÉ PAR BRIGGS & STRATTON, IL N'EST PAS NÉCESSAIRE DE L'ENREGISTRER. CONSERVEZ LE REÇU COMME PREUVE D'ACHAT. SI, LORS D'UNE RÉCLAMATION DE GARANTIE, VOUS NE POUVEZ PROUVER LA DATE INITIALE DE L'ACHAT, NOUS UTILISERONS LA DATE DE FABRICATION DU PRODUIT COMME DATE DE RÉFÉRENCE POUR DÉTERMINER LA PÉRIODE DE GARANTIE.

### À PROPOS DE LA ÉQUIPEMENT GARANTIE

Nous acceptons de faire effectuer les réparations couvertes par la garantie et tenons à nous excuser pour tout inconvénient subi. Tout agent d'un service après-vente agréé peut exécuter les réparations couvertes par la garantie. La plupart des réparations couvertes par la garantie sont traitées automatiquement; cependant, il arrive parfois que les demandes de service en vertu de la garantie soient non fondées. Par exemple, la garantie ne couvre pas les dommages causés à l'équipement par une utilisation abusive, par un manque d'entretien périodique, durant l'expédition, la manutention ou l'entreposage, ou en raison d'une installation inadéquate. De même, la garantie sera annulée si la date de fabrication ou le numéro de série apposé à l'équipement a été enlevé ou si l'équipement a été changé ou modifié. Durant la période de garantie, le distributeur de service après-vente agréé réparera ou remplacera, à son gré, toute pièce qui, après examen, est trouvée défectueuse à la suite d'une utilisation et d'un entretien normaux. La présente garantie ne couvre pas les réparations et les équipements suivants:

- **Usure normale:** Comme tout autre dispositif mécanique, les groupes électrogènes d'extérieur nécessitent l'entretien périodiques de certaines pièces pour fonctionner adéquatement. La présente garantie ne couvre pas les frais de réparation des pièces ou des équipements dont la durée de vie utile a été dépassée à la suite d'une utilisation normale.
- **Installation et entretien:** La présente garantie ne couvre pas les équipements ou les pièces qui ont fait l'objet d'une installation ou de modifications et de changements inadéquats ou non autorisés, d'une mauvaise utilisation, de négligence, d'un accident, d'une surcharge, d'entretien inadéquat, de réparation ou d'entreposage qui, selon nous, auraient nui à la performance et à la fiabilité du produit. De plus, la garantie ne couvre pas l'entretien normal tel que le réglage, le nettoyage et remplacement de fusible.
- **Exclusions supplémentaires:** La présente garantie exclut les pièces qui s'usent ou tout dommage ou tout mauvais fonctionnement résultant d'un accident, d'une utilisation abusive, de modifications, de changements ou d'un entretien inadéquat du système. La garantie du produit ne couvre pas les pièces accessoires. Cette garantie exclut toute défaillance due à une catastrophe naturelle ou à toute autre force majeure hors du contrôle du fabricant. Est aussi exclu tout équipement usé, remis à neuf ou de démonstration. 198180F, Rev. C, 12/31/2006

